

SP-40K

SP Series String Inverter

More power generation
 Max. efficiency 98.7%, Euro efficiency 98.4%
 4 MPPTs for tracking maximum PV power

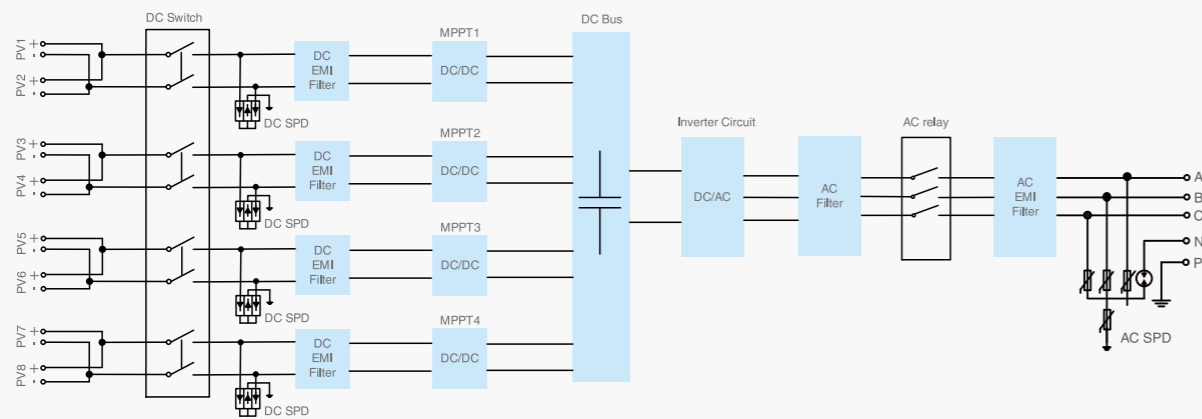
Low system cost
 Power line communication save cable cost and civil work
 High DC/AC ratio for lower LCOE

High reliability
 Natural cooling for harsh environment and long life
 String monitoring function, easy O&M

Grid friendly
 Adjustable reactive power
 Low harmonics and fast response for grid regulation



Circuit



Input (DC)

Max. PV input voltage	1100V
Max. input current	22A*4
Rated input voltage	620V
MPP voltage range	200~1000V
MPP voltage range for nominal power	480~800V
Number of MPPT trackers	4

Output (AC)

Rated output power	42kW@45 C /38kW@50 C
Max. output power	42kW
Rated grid voltage	380V/400V
Grid voltage range	340~440V
Max. output current	60.8A
Rated grid frequency / range	50 Hz/45~55Hz, 60Hz/55~65Hz
Output current harmonic(at nominal power)	<3%
Power factor at nominal power / range	>0.99/0.8 lagging to 0.8 leading

Protection

DC reverse connection protection	Yes
Overvoltage protection	DC Type II/AC Type II
Leakage current protection	Yes
Grid monitoring	Yes
Insulation monitoring	Yes
Anti-island protection	Yes
Anti-PID function	Optional

Efficiency

Max. efficiency	98.70%
EU efficiency	98.40%

General Data

Isolation method	Transformerless
Self-consuming in night	<2W
Protection level	IP65
Noise	<60dB
Temperature	-30 C ~+60 C
Allowed humidity(non condensing)	0~100%
Cooling mode	Natural cooling
Max.operating altitude	4000m (>3000m derating)
Communication port	Standard:RS485, Optional:WIFI
Dimensions (WxHxD)	910x572x285mm
Weight	58kg