

# SP-60K-L

## SP Series String Inverter



### More power generation

Max. efficiency 98.8%, Euro efficiency 98.5%  
3 MPPTs for tracking maximum PV power



### Low system cost

Up to 12 PV strings  
High DC/AC ratio for lower LCOE



### High reliability

Cooling fan with IP68 protection level  
String monitoring function, easy O&M

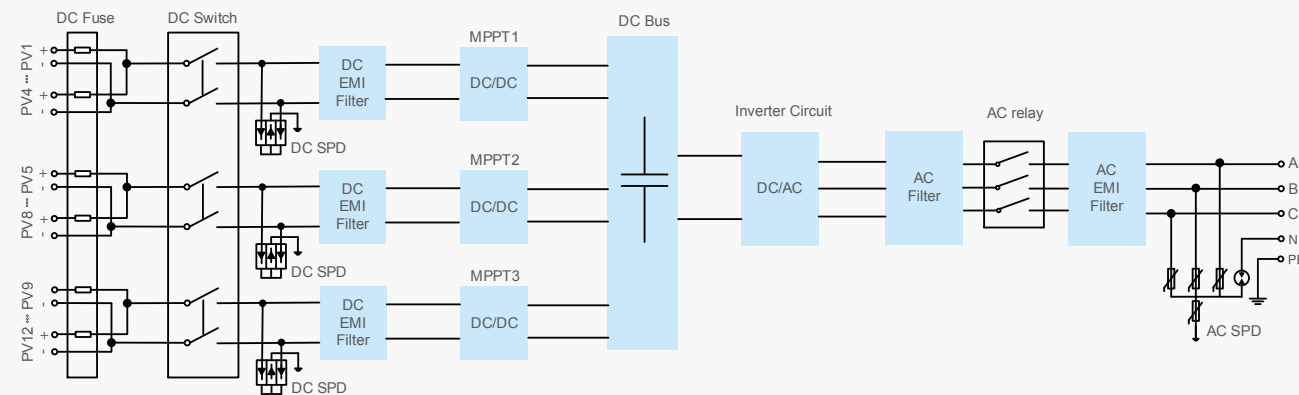


### Grid friendly

Adjustable reactive power  
Low harmonics and fast response for grid regulation



## Circuit



## Input (DC)

Max. PV input voltage	1100V
Max. input current	44A*3
Rated input voltage	620V
MPP voltage range	200~1000V
MPP voltage range for nominal power	520~850V
Number of MPPT trackers	3
Max. number of PV strings per MPPT	4

## Output (AC)

Rated output power	66kW@45 C /60kW@50 C
Max. output power	66kW
Rated grid voltage	380V/400V
Grid voltage range	340~440V
Max. output current	100.3A@380V,95.2A@400V
Rated grid frequency / range	50Hz/45~55Hz, 60Hz/55~65Hz
Output current harmonic(at nominal power)	<3%
Power factor at nominal power / range	>0.99/0.8leading to 0.8lagging

## Protection

DC reverse connection protection	Yes
Oversoltage protection	DC Type II/AC Type II
Leakage current protection	Yes
Grid monitoring	Yes
Insulation monitoring	Yes
Anti-island protection	Yes

## Efficiency

Max. efficiency	98.80%
EU efficiency	98.50%

## General Data

Isolation method	Transformerless
Self-consuming in night	<2W
Protection level	IP65
Noise	<60dB
Temperature	-30 C ~ +60 C
Allowed humidity(non condensing)	0~100%
Cooling mode	Temperature controlled forced air cooling
Max.operating altitude	4000m (>3000m derating )
Communication port	Standard:RS485, Optional:WIFI
Dimensions (WxHxD)	585x853x295mm
Weight	72kg