

# SP-136K

## SP Series String Inverter



### More power generation

Max. efficiency 98.7%, Euro efficiency 98.5%  
12 MPPTs for tracking maximum PV power  
Supports bifacial PV modules with max. PV current 13A



### Low system cost

Up to 20 PV strings  
Support aluminum cable access, saving cable costs  
Support WIFI communication, save communication cable



### High reliability

Cooling fan with IP68 protection level  
Integrated string monitoring function  
Standard connection terminal for quick installation

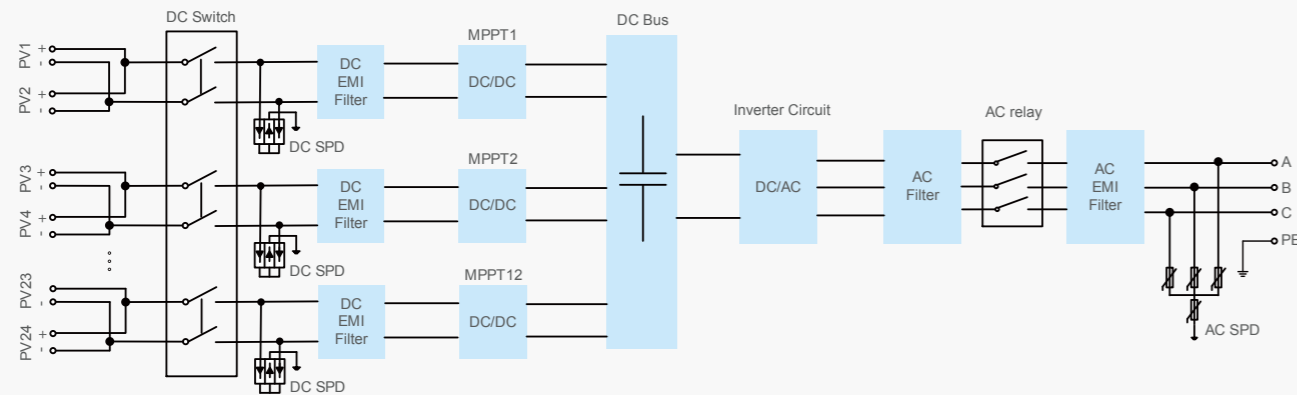


### Grid friendly

Adjustable reactive power  
Low harmonics and fast response for grid regulation



## Circuit



## Input (DC)

Max. PV input voltage	1100V
Max. input current	26A*12
Rated input voltage	600V
MPP voltage range	200~1000V
MPP voltage range for nominal power	600~850V
Number of MPPT trackers	12
Max. number of PV strings per MPPT	2

## Output (AC)

Rated output power	150kW@45°C/136kW@50°C
Max. output power	136kW
Rated grid voltage	540V
Grid voltage range	430~625V
Max. output current	161A
Rated grid frequency / range	50Hz/45~55Hz, 60Hz/55~65Hz
Output current harmonic(at nominal power)	<3%
Power factor at nominal power / range	>0.99/0.8leading to 0.8lagging

## Protection

DC reverse connection protection	Yes
Overvoltage protection	DC Type II/AC Type II
Leakage current protection	Yes
Grid monitoring	Yes
Insulation monitoring	Yes
Anti-island protection	Yes

## Efficiency

Max. efficiency	98.70%
EU efficiency	98.50%

## General Data

Isolation method	Transformerless
Self-consuming in night	<2W
Protection level	IP66
Noise	<60dB
Temperature	-30°C ~ +60°C
Allowed humidity(non condensing)	0-100%
Cooling mode	Temperature controlled forced air cooling
Max.operating altitude	4000m (>3000m derating )
Communication port	Standard:RS485, Optional:WIFI
Dimensions (WxHxD)	1018x630x339mm
Weight	95kg