

# EH series 1500V MV energy storage converter

## Product Features

- Three-level topology, up to 99% conversion efficiency, better power quality
- Supports two sets of battery access and independent charge and discharge management, which is more battery friendly
- Key device IP65, strong adaptability to harsh environments such as high altitude and high temperature
- Highly integrated, small footprint, more convenient and efficient transportation, hoisting, installation, O&M
- With PQ, VF, SVG, VSG and other functions, support high/low ride through, frequency ride through
- Fast power dispatch, off-grid operation and "black start", strong grid adaptability



Integrated design

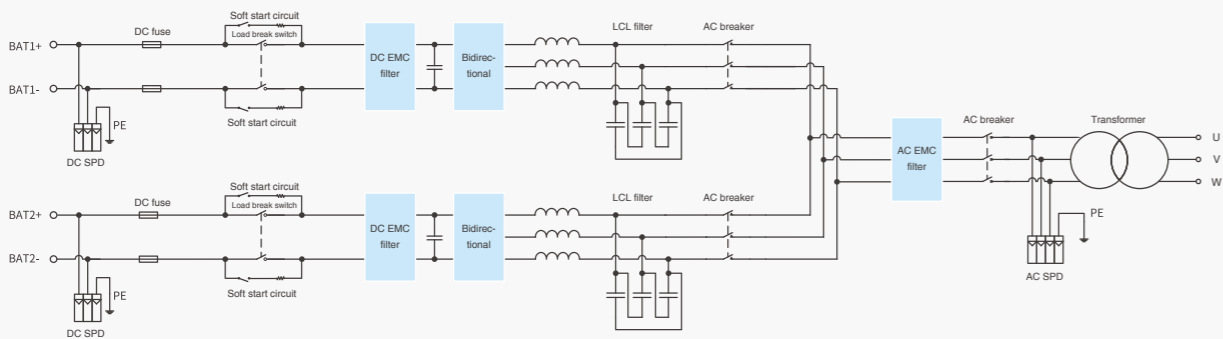


High power density



Easy to install

## Circuit block diagram



## Technical Parameters

Model	EH-2500-HA-UD/35	EH-3150-HA-UD/35	EH-3450-HA-UD/35
<b>DC side parameters</b>			
Maximum input voltage	1500V	1500V	1500V
Maximum DC current	3508A	3864A	3872A
Battery pack voltage range	800~1500V	915~1500V	1000~1500V
No. of battery packs	1/2	1/2	1/2
<b>Grid side parameters</b>			
Rated AC power	2500kW	3150kW	3450kW
Maximum AC power	2750kW	3465kW	3795kW
Rated grid voltage	35kV	35kV	35kV
Maximum AC current	45.4A	57.2A	62.6A
Rated grid frequency	50/60Hz	50/60Hz	50/60Hz
THD at rated power	<1.5%	<1.5%	<1.5%
Power factor	>0.99 (>20%Load)	>0.99 (>20%Load)	>0.99 (>20%Load)
Power factor adjustable range	1 leading ~ 1 lagging	1 leading ~ 1 lagging	1 leading ~ 1 lagging
<b>System characteristics</b>			
Isolation method	Oil-immersed transformer/dry-type transformer		
Maximum efficiency	98.08%		
Protection level	IP65 (Converter) /IP54 (Other )		
Working temperature	-30~+60°C		
Allowable humidity range	0~95%(No condensation)		
Altitude without derating	5000m (More than 2000 transformers need to be corrected)		
Cooling method	air cooling(Dry transformer)/natural cooling (oil transformer )		
Communication Interface	RS485/CAN/Ethernet		
<b>Mechanical parameters</b>			
Dimensions (width/height/depth)	6058x2896x2438mm		
Weight	14500kg (dry transformer) /15000kg (oil transformer)		