

EP-3400-HA-UD

EP Series 1500V Outdoor Central Inverter



More power generation

- Max. efficiency 99%, Euro efficiency 98.7%
- Advanced three-level technology
- Max.DC/AC ratio up to 1.8

Low system cost

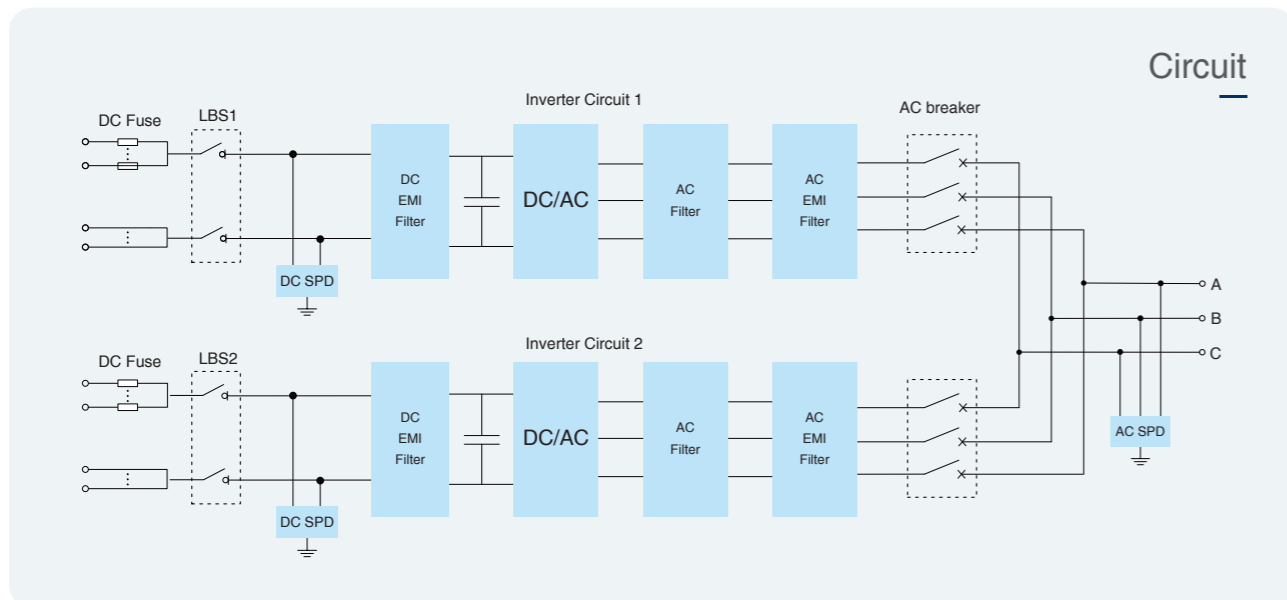
- DC 1500V system, low system cost
- IP65 design
- Night SVG function optional

High reliability

- Capacitor life prediction technology
- Key components at front side, easy for maintenance
- Current sensor for each DC input, more reliable for monitoring and control

Grid friendly

- LVRT and HVRT function
- Active & reactive power dispatch



Input (DC)	EP-3400-HA-UD
Max.PV input voltage	1500V
Max. input current	2*2037A
MPP voltage range for nominal power	900~1300V
Number of MPPT trackers	2
Max. Number of DC inputs	24
Output (AC)	
Rated AC output power	3400kVA@45 C
Max. AC output power	3594kVA@25 C
Rated grid voltage	630V
Grid voltage range	536~693 V
Rated output current	3116A
Max. output current	3294A
Rated grid frequency/range	50Hz±5Hz, 60Hz±5Hz
Output current harmonic (at nominal power)	<3%
DC current injection	<0.5%In
Power factor at nominal power/range	>0.99/0.8 lagging to 0.8 leading
Protection	
DC input protection	Load break switch+fuse
AC output protection	Circuit breaker
Overvoltage protection	DC Type II/AC Type II
Leakage current monitoring	Yes
Ground fault monitoring	Yes
Grid monitoring	Yes
Insulation monitoring	Yes
Overheat protection	Yes
Night SVG function	Yes
Anti-PID function	Optional
Efficiency	
Max. efficiency	99.00%
EU efficiency	98.70%
General Data	
Self-consuming at runtime	<5000W
Self-consuming in standby/night	<300W/<200W
Protection level	IP65
Temperature	-30 C ~+60 C (>50 C derating)
Cooling method	Temperature controlled forced air cooling
Max.operating altitude	4000m
Display	Touch screen
Communication port	RS485/Ethernet (Optional)
Certificates and approvals (more available on request)	IEC 62109, IEC 61727, IEC 61683, IEC 62116, IEC 60068, IEC61000
Dimensions (W×H×D)	2205×2200×1760mm
Weight	2600kg