

EP-3600-HAN-UD

EP Series 1500V Outdoor Central Inverter



More power generation

- Max. efficiency 98.9%, CEC efficiency 98.5%
- Advanced three-level technology
- Max.DC/AC ratio up to 1.8

Low system cost

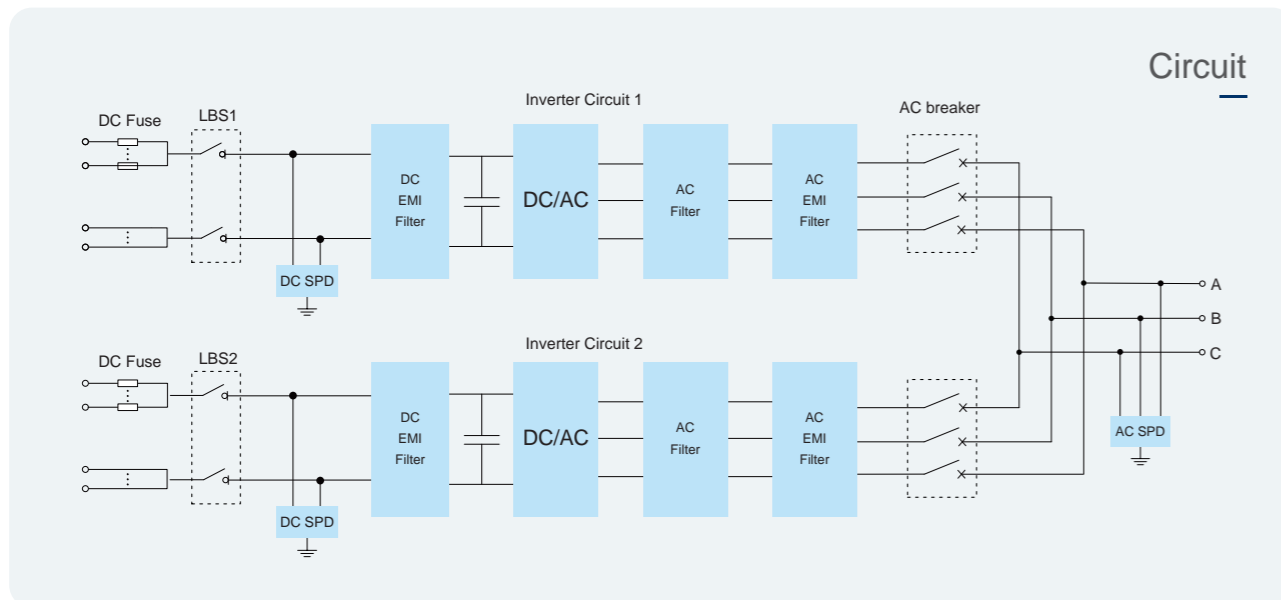
- DC 1500V system, low system cost
- IP65 design
- Night SVG function

High reliability

- Capacitor life prediction technology
- Key components at front side, easy for maintenance
- Current sensor for each DC input, more reliable for monitoring and control

Grid friendly

- LVRT and HVRT function
- Active & reactive power dispatch



| Input (DC) | | EP-3600-HAN-UD |
|--|--|--|
| Max.PV input voltage | | 1500V |
| Max. input current | | 4015A |
| MPP voltage range for nominal power | | 915~1300V |
| Number of MPPT trackers | | 2 |
| Max. Number of DC inputs(Fuse current) | | 22 (400A&315A) /18 (500A&550A&630A) |
| Output (AC) | | EP-3600-HAN-UD |
| AC output power | | 3600kVA@40 C, 3240kVA@50 C |
| Rated grid voltage | | 630V |
| Grid voltage range | | 535~693 V |
| Output current | | 3300A@40 C, 2969A@50 C |
| Rated grid frequency/range | | 60Hz/55~65Hz |
| Output current harmonic (at nominal power) | | <3% |
| DC current injection | | <0.5%In |
| Power factor at nominal power/range | | >0.99/0.8 lagging to 0.8 leading |
| Protection | | EP-3600-HAN-UD |
| DC input protection | | Load break switch+fuse |
| AC output protection | | Circuit breaker |
| Overtoltage protection | | DC Type II/AC Type II |
| Leakage current monitoring | | Yes |
| Ground fault monitoring | | Yes |
| Grid monitoring | | Yes |
| Insulation monitoring | | Yes |
| Overheat protection | | Yes |
| Night SVG function | | Yes |
| Anti-PID function | | Yes |
| Efficiency | | EP-3600-HAN-UD |
| Max. efficiency | | 98.9% |
| CEC efficiency | | 98.5% |
| General Data | | EP-3600-HAN-UD |
| Self-consuming at runtime | | <7500W |
| Self-consuming in standby/night | | <300W/<200W |
| Protection level | | NEMA 4X(Electronic)/ NEMA 3R(Others) |
| Temperature | | -30 C~ +60 C (>40 C derating) |
| Cooling method | | Temperature controlled forced air cooling |
| Max.operating altitude | | 3000m |
| Display | | LCD |
| Communication port | | RS485 |
| Certificates and approvals (more available on request) | | CSA C22.2 No.107.1-16, UL1741,IEEE1547.1, IEEE1547, UL1741SB, SRD-V2.0 |
| Dimensions (WxHxD) | | 2335x2300x1865mm |
| Weight | | 2600kg |