

SN3.0/4.0/5.0/6.0/8.0/10/12PT

Three Phase PV Inverter/2 MPPTs

Safe & Reliable
 IP66 protection & C5 anti-corrosion rating
 Type II SPD, both DC & AC sides
 Built-in arc-fault circuit-interrupter

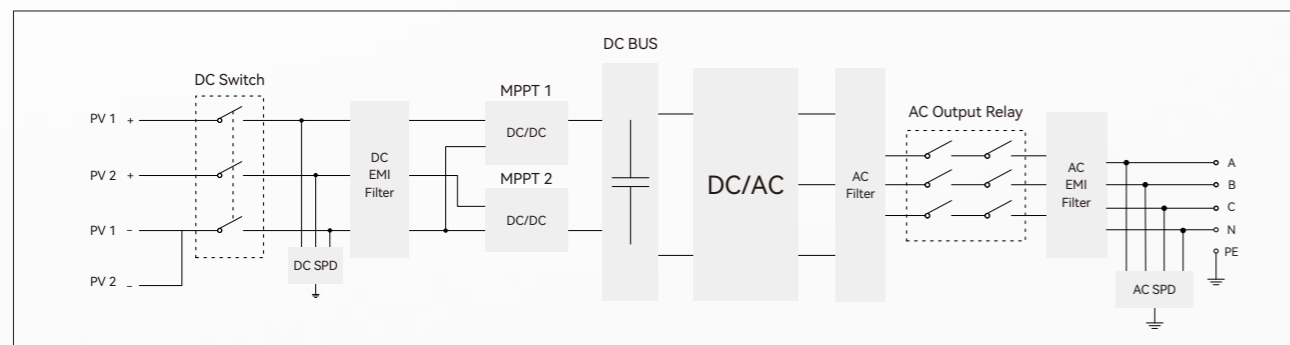
High Yield
 Max. efficiency up to 98.5%
 Up to 16A, max MPPT input current
 1.1 times continuous output overload

High-Performance Management
 Accurate string current detection
 Support export power limit
 Local & remote maintenance

User-Friendly Design
 Fanless design for quiet operation
 Optional OLED screen
 Quickly set up smart monitoring via APP



Circuit Diagram



| Model | SN3.0PT | SN4.0PT | SN5.0PT | SN6.0PT | SN8.0PT | SN10PT | SN12PT |
|--|--|-----------|-----------|-----------|-----------|-----------|-----------|
| Input (PV) | | | | | | | |
| Max. PV input voltage | 1100V | | | | | | |
| Recommended max. PV power (STC) | 4.5kWp | 6kWp | 7.5kWp | 9kWp | 12kWp | 15kWp | 18kWp |
| Nominal PV input voltage | 620V | | | | | | |
| MPPT operating voltage range | 140V~1000V | | | | | | |
| Full power MPPT voltage range | 190V~850V | 190V~850V | 190V~850V | 225V~850V | 310V~850V | 375V~850V | 450V~850V |
| Startup PV voltage | 180V | | | | | | |
| Number of PV inputs | 2 (2 MPPTs, 1/1) | | | | | | |
| Max. current per MPPT | 16A | | | | | | |
| Max. short circuit current per MPPT | 25A | | | | | | |
| Output (grid) | | | | | | | |
| Nominal output power | 3kW | 4kW | 5kW | 6kW | 8kW | 10kW | 12kW |
| Max. output apparent power | 3.3kVA | 4.4kVA | 5.5kVA | 6.6kVA | 8.8kVA | 11kVA | 13.2kVA |
| Max. output current | 4.8A | 6.4A | 8A | 9.6A | 12.8A | 15.9A | 19.1A |
| Nominal grid voltage | 3L/N/PE, 230V/400V | | | | | | |
| Grid voltage range | 320V~480V (According to local standards) | | | | | | |
| Nominal grid frequency | 50/60Hz | | | | | | |
| Power factor range | 0.8leading~0.8lagging | | | | | | |
| Harmonic (THD) | <3% | | | | | | |
| Efficiency | | | | | | | |
| Max. efficiency | 98.00% | 98.00% | 98.10% | 98.20% | 98.30% | 98.40% | 98.50% |
| EU efficiency | 97.60% | 97.70% | 97.70% | 97.80% | 98.00% | 98.10% | 98.20% |
| General data | | | | | | | |
| Display mode | LED, OLED(optional) | | | | | | |
| Communication port | RS485,WIFI/4G/Ethernet | | | | | | |
| Weight | 14.5kg | 14.5kg | 14.5kg | 14.5kg | 14.5kg | 15kg | 15kg |
| Dimensions (W*H*D) | 530*465*165mm | | | | | | |
| Max. operating altitude | 4000m(>3000m derating) | | | | | | |
| Cooling method | Natural | | | | | | |
| Humidity | 0~100% | | | | | | |
| Operating temperature | -25~60°C | | | | | | |
| Protection level | IP66 | | | | | | |
| Topology | Transformerless | | | | | | |
| Self-consumption at night | < 1W | | | | | | |
| Protection | | | | | | | |
| Leakage current protection | Yes | | | | | | |
| Anti-island protection | Yes | | | | | | |
| DC reverse protection | Yes | | | | | | |
| AC short circuit protection | Yes | | | | | | |
| PV string current detection | Yes | | | | | | |
| PID recovery | Optional | | | | | | |
| DC switch | Yes | | | | | | |
| Arc-fault circuit-interrupter | Yes | | | | | | |
| Surge protection | DC II/AC II | | | | | | |
| Insulation monitoring | Yes | | | | | | |
| Over-voltage protection | AC III/DC II | | | | | | |
| IEC 62109-1/2, IEC61000-6, IEC62116, IEC61727, IEC61683, IEC60068, IEC61000-3, EN50549-1, VDE4105, C10/11, CEI-0-21, PTPIREE | | | | | | | |