

# Smart Power Quality Solutions

## Product features



**Comprehensive data**  
Various data such as grid side, load side, and module output are displayed in real time, and the management effect is visualized.



**Graphical display**  
Grid voltage waveform, Grid side / load side current waveform, harmonic distortion rate histogram



**Smart compensation**  
Smart compatible active modules (APF, SVG) multi-functional and high-performance smart compensation for traditional capacitive reactance components, smart capacitors, and other devices



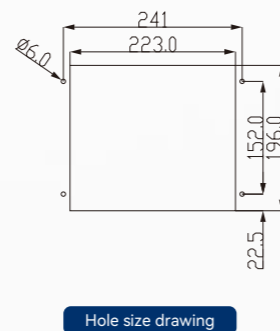
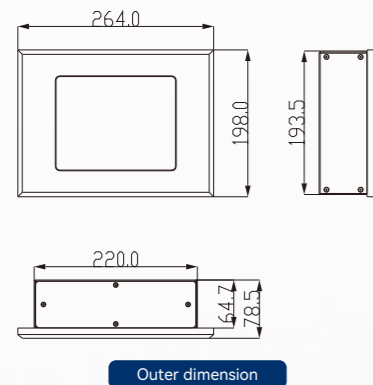
**User-friendly interface**  
Clearly classified, minimize on-site commissioning steps

## Product selection instructions

For example: MU-S2 stands for smart power quality controller without hybrid compensation components  
 MU-S2-24T stands for smart power quality controller with 24 SCR / composite switch output controls  
 MU-S2-24C stands for smart power quality controller with 24 contactor output controls  
 MU-S2-32S stands for smart power quality controller with 32 intelligent capacitor output control



## Product Dimensions



Model	MU-S2	MU-S2-24C	MU-S2-24T	MU-S2-32S
Electrical parameters				
Rated voltage	DC 24V			
Input Current	0.6A			
Performance index				
Compatible device	APF+SVG	APF+SVG+Contactor type universal LC	APF+SVG+Thyristor type universal LC	APF+SVG+Smart capacitor
Data type	Voltage, current, harmonics, apparent power, active power, reactive power, power factor, etc.			
Real-time data	Grid side, load side, module output			
Waveform display	Voltage, grid-side current, load-side current			
Spectrum display	2 ~ 50th harmonic spectrum display (grid side, load side)			
Module monitoring	APF / SVG working status monitoring			
Module control	Manual control, automatic control			
LC monitoring	Support LC working status display of each channel			
LC control	Manual mode, automatic mode, test mode			
Supported channel	24 channel			
Parameter settings	Supports detailed settings of compatible device parameters			
History recording	1024 pieces			
Communication				
Protocol	Modbus protocol			
Communication Interface	Standard RS485 interface (optional :Ethernet)			
Number of interfaces	3 RS485 interfaces			
Mechanical properties				
IP rating	IP20			
Inner dimension W*H*D (mm)	264*198*79			
Outer dimension W*H (mm)	223*196			
Weight (kg)	1.4kg	1.7kg	1.5kg	1.5kg
Color	RAL7035			
Environmental requirements				
Operating temperature	-25°C~+55°C			
Relative humidity	5%~95%, No frost			
Altitude	3000m			