

EH Series

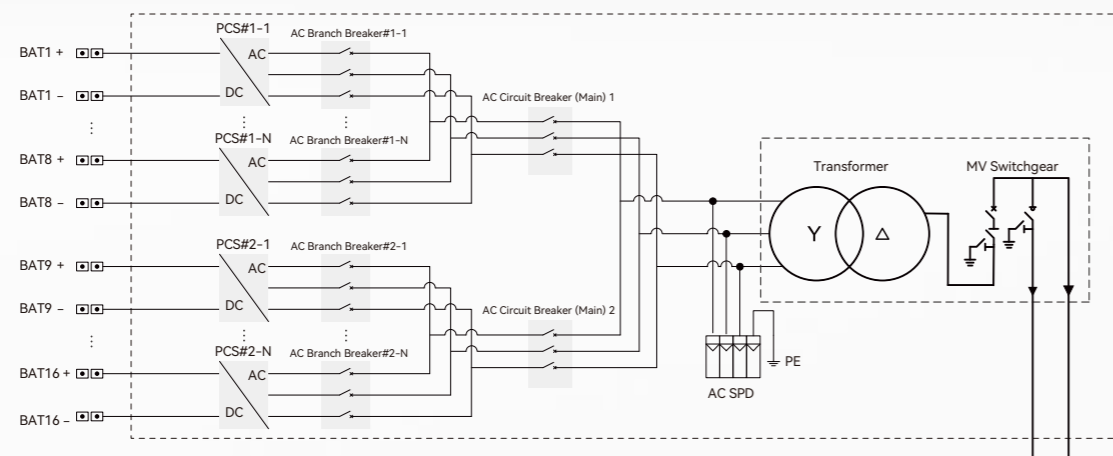
Turnkey Station With MV Transformer Integrated (String PCS, 1500V)

Features

- 200 kW fold expansion up to 3.2MW inside 20 ft structure
- Power module easily replacement reduce repair time
- Achieve higher battery capacity utilization
- Allow expand new battery cluster to the old system
- Solve SOC imbalance between different battery clusters
- Battery system achieve more deep DOD ability
- Built in sub-array management unit support IEC 61850
- More easily to perform periodic battery calibration



Circuit Diagram



Model	EH-2400-HA-MR-35	EH-3200-HA-MR-35
DC Parameters		
Max. DC voltage	1500V	
Max. DC current	224.5A*12	224.5A*16
Battery voltage range	1000 ~ 1500V	
Number of DC inputs	12	16
AC parameters (On-Grid)		
AC Output power	220kVA*12@35°C, 200kVA*12@45°C	220kVA*16@35°C, 200kVA*16@45°C
PCS AC voltage range	607~759V (Adjustable)	
PCS Max. AC output current	184.1A*12@35°C, 167.4A*12@45°C	184.1A*16@35°C, 167.4A*16@45°C
Nominal grid frequency	50/60Hz	
Harmonic (THDi)	<1.5% (100% load)	
Power Factor	-1 ~ +1	
AC parameters (Off-Grid)		
PCS Nominal AC voltage	690V,3W+PE	
PCS AC voltage range	607-759V(Adjustable)	
AC voltage distortion	<1.5% (100% linear load)	
DC voltage component	<0.5% Un (Linear balance load)	
Unbalanced load capacity	100%	
Nominal grid frequency	50/60Hz	
Transformer		
Isolation mode	Oil-Immersed Transformer	
Transformer rated power	2640kVA@35°C, 2400kVA@45°C	3520kVA@35°C, 3200kVA@45°C
LV/MV voltage	0.69kV/35kV (10kV~35kV Optional)	
Transformer vector	Dy11	
Transformer cooling type	ONAN (Optional: KNAN)	
Oil type	Mineral oil (PCB free) or degradable oil on request	
General Data		
PCS Max. efficiency	99%	
PCS European efficiency	98.5%	
Ingress protection rating	IP54	
Operating temperature range	-40~+60 °C(>45°C derating)	
Relative humidity	0~100% (no condensing)	
Max. altitude	4000m (>2000m derating)	
Cooling method	Forced air cooling	
Communication port	RS485/CAN/Ethernet	
Dimensions (W*D*H)	6058×2438×2896mm	
Weight	15000kg	16000kg