

EH Series

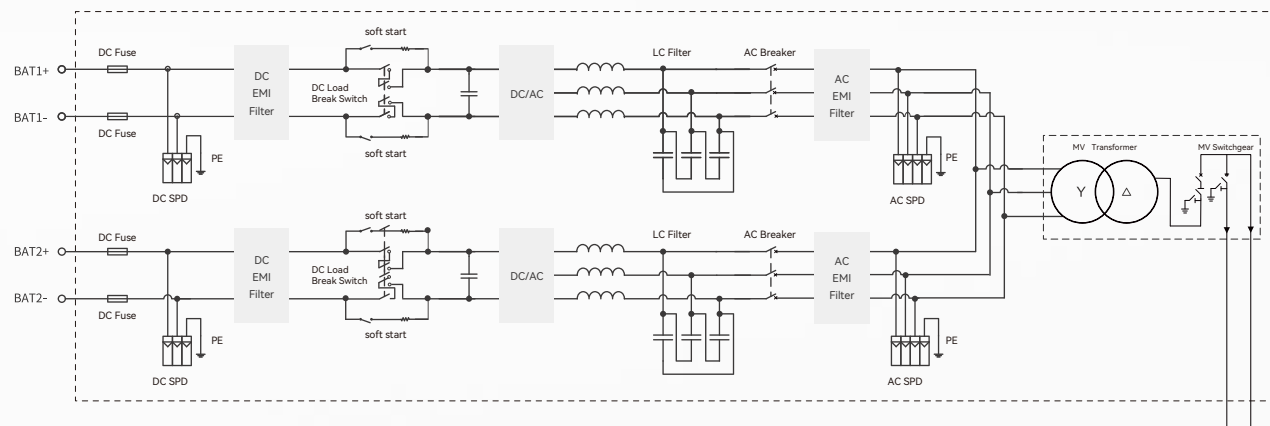
Turnkey Station With MV Transformer Integrated (Central PCS, 1500V)

Features

- PCS Max. efficiency up to 99%
- Full reactive power four-quadrant capability
- Support VSG function
- Millisecond-level power response to EMS/SCADA
- IP65 protection for PCS, IP54 for MV station
- Black start ability
- Two DC branch inputs
- Designed for frozen scenario with -40°C option



Circuit Diagram



Model	EH-3450-HA-UD-35	EH-4000-HA-UD-35
DC Parameters		
Max. DC voltage	1500V	
Max. DC current	3872A	4490A
Battery voltage range	1000 ~ 1500V	
Number of DC inputs	2	
AC parameters (On-Grid)		
AC Output power	3794kVA@35°C, 3450kVA@45°C	4400kVA@35°C, 4000kVA@45°C
PCS AC voltage range	607~759V (Adjustable)	
PCS Max. AC current	3174A	3680A
PCS Max. AC current	3176A@30°C, 2886A@45°C	3682A@30°C, 3346A@45°C
Nominal grid frequency	50/60Hz	
Harmonic (THDi)	<1.5% (100% load)	
Power Factor	-1 ~ +1	
AC parameters (Off-Grid)		
PCS Nominal AC voltage	690V, 3W+PE	
PCS AC voltage range	607-759V (Adjustable)	
AC voltage distortion	<1.5% (100% linear load)	
DC voltage component	<0.5% Un (Linear balance load)	
Unbalanced load capacity	100%	
Nominal grid frequency	50/60Hz	
Transformer		
Isolation mode	Oil-Immersed Transformer	
Transformer rated power	3794kVA@35°C, 3450kVA@45°C	4400kVA@35°C, 4000kVA@45°C
LV/MV voltage	0.69kV/35kV (10kV~35kV Optional)	
Transformer vector	Dy11	
Transformer cooling type	ONAN (Optional: KNAN)	
Oil type	Mineral oil (PCB free) or degradable oil on request	
General Data		
PCS Max. efficiency	99%	
PCS European efficiency	98.5%	
Ingress protection rating	IP54	
Operating temperature range	-40~+60 °C (>45°C derating)	
Relative humidity	0~100% (no condensing)	
Max. altitude	5000m (>2000m derating)	
Cooling method	Forced air cooling	
Communication port	RS485/CAN/Ethernet	
Dimensions (W*D*H)	6058×2438×2896mm	
Weight	17000kg	18000kg