

EP-4400-HA-UD

EP Series 1500V Outdoor Central Inverter

More power generation

- Max. efficiency 99%, Euro efficiency 98.7%
- Advanced three-level technology
- Max.DC/AC ratio up to 1.8

Low system cost

- DC 1500V system, low system cost
- IP65 design
- Night SVG function optional

High reliability

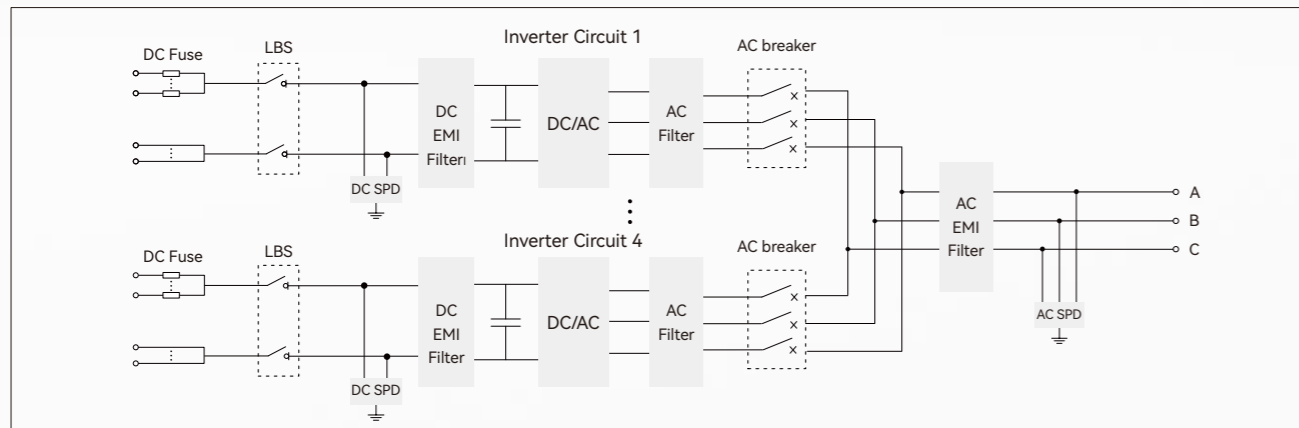
- Key components at front side, easy for maintenance
- Current sensor for each DC input, more reliable for monitoring and control

Grid friendly

- LVRT and HVRT function
- Active & reactive power dispatch



Circuit Diagram



| Model | | EP-4400-HA-UD |
|--|--|--|
| Input (DC) | | |
| Max. PV input voltage | | 1500V |
| Max. input current | | 5736A |
| MPP voltage range for nominal power | | 900~1300V |
| Number of MPPT trackers | | 4 |
| Number of DC inputs | | 20(Maximum: 32 inputs) |
| Output (AC) | | |
| AC output power | | 4400kW@45°C/5060kW@25°C |
| Rated grid voltage | | 630V |
| Grid voltage range | | 536~693 V |
| Max. output current | | 4640A |
| Rated grid frequency/range | | 50Hz±5Hz, 60Hz±5Hz |
| Output current harmonic (at nominal power) | | <3% |
| DC current injection | | < 0.5%In |
| Power factor at nominal power/range | | >0.99/0.8 lagging to 0.8 leading |
| Protection | | |
| DC input protection | | Load break switch+fuse |
| AC output protection | | Circuit breaker |
| Over voltage protection | | DC Type II/AC Type II |
| Leakage current monitoring | | Yes |
| Ground fault monitoring | | Yes |
| Grid monitoring | | Yes |
| Insulation monitoring | | Yes |
| Overheat protection | | Yes |
| Night SVG function | | Optional |
| Anti-PID function | | Optional |
| Efficiency | | |
| Max. efficiency | | 99.02% |
| EU efficiency | | 98.7% |
| General Data | | |
| Self-consuming at runtime | | < 5500W |
| Self-consuming in standby | | < 300W |
| Protection level | | IP65 |
| Temperature | | -30°C~+60°C |
| Cooling method | | Temperature controlled forced air cooling |
| Max. operating altitude | | 5000m |
| Display | | Standard: LED indicator, Bluetooth+APP; Optional: Touch screen |
| Communication port | | RS485/Ethernet |
| Certificates and approvals (more available on request) | | CE,IEC 62109, IEC 61727, IEC 61683, IEC 62116, IEC 60068, IEC61000 |
| Dimensions (W×H×D) | | 2210×2250×1850mm |
| Weight | | 3300kg |