

# EP-3125-HC-UD/EP-3400-HA-UD

## EP Series 1500V Outdoor Central Inverter

### More power generation

- Max. efficiency 99%, Euro efficiency 98.7%
- Advanced three-level technology
- Max.DC/AC ratio up to 1.8

### Low system cost

- DC 1500V system, low system cost
- IP65 design
- Night SVG function optional

### High reliability

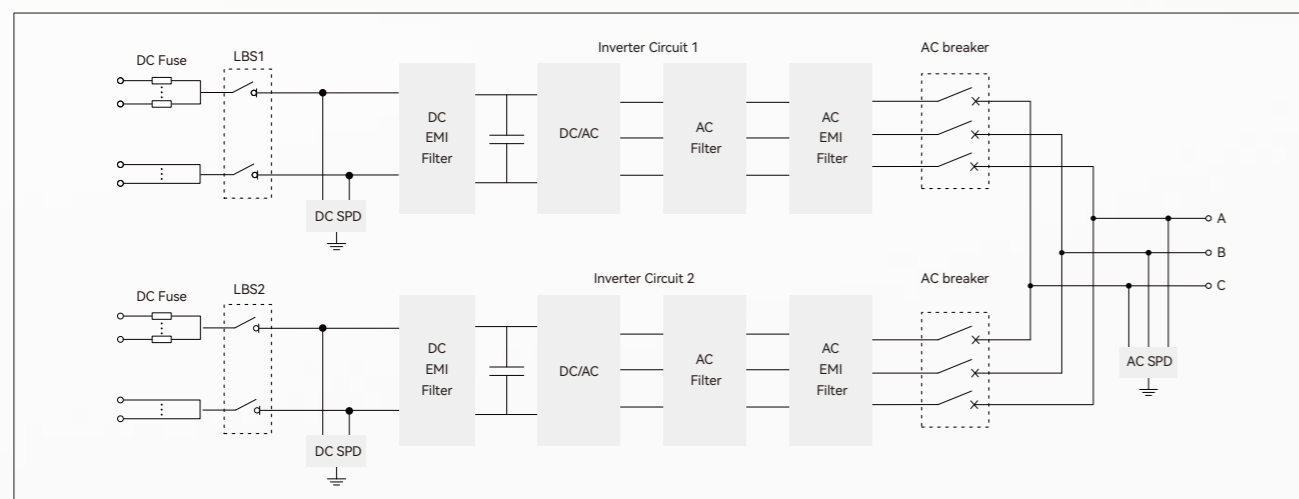
- Capacitor life prediction technology
- Key components at front side, easy for maintenance
- Current sensor for each DC input, more reliable for monitoring and control

### Grid friendly

- LVRT and HVRT function
- Active & reactive power dispatch



### Circuit Diagram



Model	EP-3125-HC-UD	EP-3400-HA-UD
<b>Input (DC)</b>		
Max. PV input voltage	1500V	
Max. input current	4191A	4075A
MPP voltage range for nominal power	875~1300V	900~1300V
Number of MPPT trackers	2	
Max. Number of DC inputs	22	
<b>Output (AC)</b>		
AC output power	3125kVA@50°C/3594kVA@25°C	3400kVA@45°C/3594kVA@25°C
Rated grid voltage	600V	630V
Grid voltage range	510~660V	536~693 V
Max. output current	3459A	3294A
Rated grid frequency/range	50Hz±5Hz, 60Hz±5Hz	
Output current harmonic (at nominal power)	<3%	
DC current injection	< 0.5%In	
Power factor at nominal power/range	>0.99/0.8 lagging to 0.8 leading	
<b>Protection</b>		
DC input protection	Load break switch+fuse	
AC output protection	Circuit breaker	
Overvoltage protection	DC Type II/AC Type II	
Leakage current monitoring	Yes	
Ground fault monitoring	Yes	
Grid monitoring	Yes	
Insulation monitoring	Yes	
Overheat protection	Yes	
Night SVG function	Optional	
Anti-PID function	Optional	
<b>Efficiency</b>		
Max. efficiency	99.0%	
EU efficiency	98.7%	
<b>General Data</b>		
Self-consuming at runtime	< 5000W	
Self-consuming in standby/night	< 300W/ < 200W	
Protection level	IP65	
Temperature	-30°C~+60°C	
Cooling method	Temperature controlled forced air cooling	
Max. operating altitude	5000m	
Display	Touch screen	
Communication port	RS485/Ethernet (Optional)	
Certificates and approvals (more available on request)	CE,IEC 62109, IEC 61727, IEC 61683, IEC 62116, IEC 60068, IEC61000	
Dimensions (W×H×D)	2205×2200×1760mm	
Weight	2600kg	