

# EP-4400-HA-UD

## EP Series 1500V Outdoor Central Inverter

### More power generation

- Max. efficiency 99%, Euro efficiency 98.7%
- Advanced three-level technology
- Max.DC/AC ratio up to 1.8

### Low system cost

- DC 1500V system, low system cost
- IP65 design
- Night SVG function optional

### High reliability

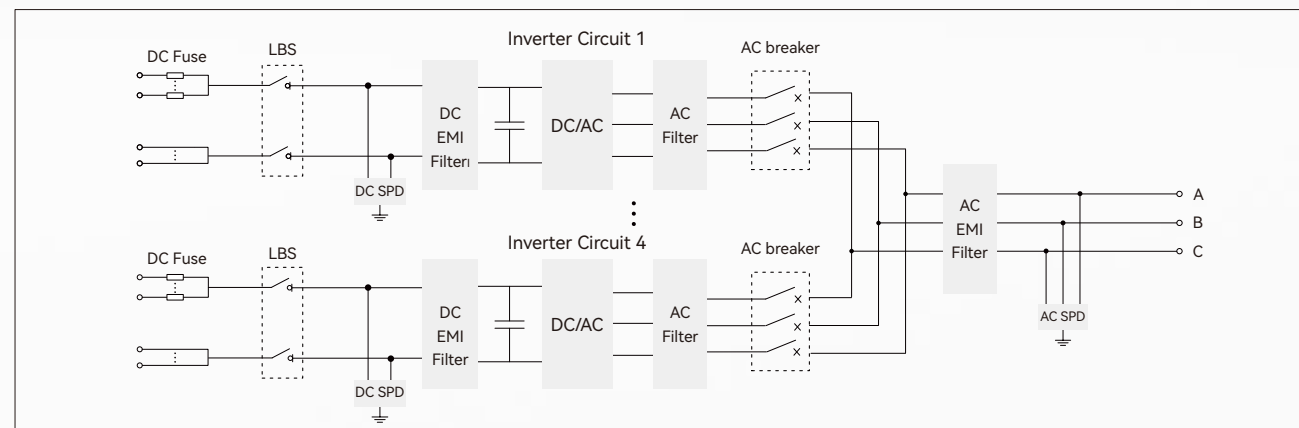
- Key components at front side, easy for maintenance
- Current sensor for each DC input, more reliable for monitoring and control

### Grid friendly

- LVRT and HVRT function
- Active & reactive power dispatch



## Circuit Diagram



Model		EP-4400-HA-UD
<b>Input (DC)</b>		
Max. PV input voltage		1500V
Max. input current		5736A
MPP voltage range for nominal power		900~1300V
Number of MPPT trackers		4
Number of DC inputs		20( Maximum: 32 inputs)
<b>Output (AC)</b>		
AC output power		4400kW@45°C/5060kW@25°C
Rated grid voltage		630V
Grid voltage range		536~693 V
Max. output current		4640A
Rated grid frequency/range		50Hz±5Hz, 60Hz±5Hz
Output current harmonic (at nominal power)		<3%
DC current injection		< 0.5%In
Power factor at nominal power/range		>0.99/0.8 lagging to 0.8 leading
<b>Protection</b>		
DC input protection		Load break switch+fuse
AC output protection		Circuit breaker
Over voltage protection		DC Type II/AC Type II
Leakage current monitoring		Yes
Ground fault monitoring		Yes
Grid monitoring		Yes
Insulation monitoring		Yes
Overheat protection		Yes
Night SVG function		Optional
Anti-PID function		Optional
<b>Efficiency</b>		
Max. efficiency		99%
EU efficiency		98.7%
<b>General Data</b>		
Self-consuming at runtime		< 5500W
Self-consuming in standby		< 300W
Protection level		IP65
Temperature		-30°C~+60°C
Cooling method		Temperature controlled forced air cooling
Max. operating altitude		5000m
Display		Standard: LED indicator, Bluetooth+APP; Optional: Touch screen
Communication port		RS485/Ethernet
Certificates and approvals (more available on request)		CE,IEC 62109, IEC 61727, IEC 61683, IEC 62116, IEC 60068, IEC61000
Dimensions (W×H×D)		2210×2250×1850mm
Weight		3300kg