

SN50/60PT

Three Phase PV Inverter/5 MPPTs

Safe & Reliable
 IP66 protection & C5 anti-corrosion rating
 Type II SPD, both DC & AC sides
 Built-in arc-fault circuit-interrupter

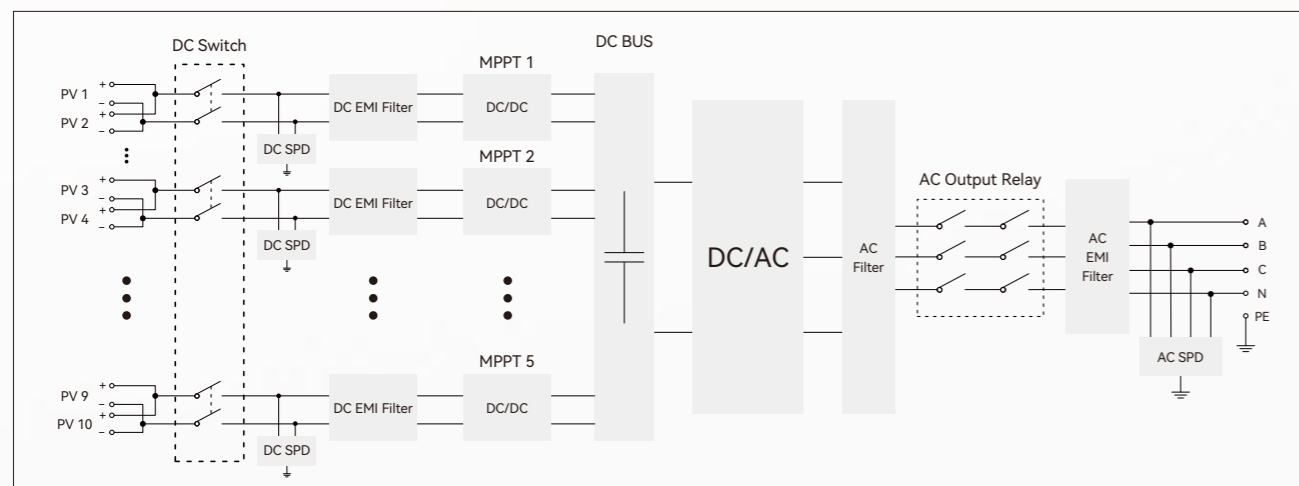
High Yield
 Built-in PID recovery function
 Compatible with bifacial PV modules
 1.1 times continuous output overload

High-Performance Management
 Accurate string current detection
 Support export power limit
 Local & remote maintenance

User-Friendly Design
 Convenient handle design
 Optional OLED screen
 Quickly set up smart monitoring via APP



Circuit Diagram



Model	SN50PT	SN60PT
Input (PV)		
Max. PV input voltage	1100V	
Recommended max. PV power (STC)	75kWp	90kWp
Nominal PV input voltage	620V	
MPPT operating voltage range	200V~1000V	
Full power MPPT voltage range	520V~850V	
Startup PV voltage	250V	
Number of PV inputs	10 (5 MPPTs, 2/2/2/2/2)	
Max. current per MPPT	32A/32A/32A/32A/32A	32A/32A/32A/32A/40A
Max. short circuit current per MPPT	50A/50A/50A/50A/50A	
Output (grid)		
Nominal output power	50kW	60kW
Max. output apparent power	55kVA	66kVA
Max. output current	79.7A	95.7A
Nominal grid voltage	3L/N/PE, 230V/400V	
Grid voltage range	320V~480V (According to local standards)	
Nominal grid frequency	50/60Hz	
Power factor range	0.8leading~0.8lagging	
Harmonic (THD)	<3%	
Efficiency		
Max. efficiency	98.60%	
EU efficiency	98.30%	
General data		
Display mode	LED, OLED(optional)	
Communication port	RS485,WIFI/4G/Ethernet	
Weight	50kg	
Dimensions (W*H*D)	698*594*274mm	
Max. operating altitude	4000m (>3000m derating)	
Cooling method	Smart fan cooling	
Humidity	0~100%	
Operating temperature	-25~60°C	
Protection level	IP66	
Topology	Transformerless	
Self-consumption at night	< 1W	
Protection		
Leakage current protection	Yes	
Anti-island protection	Yes	
DC reverse protection	Yes	
AC short circuit protection	Yes	
PV string current detection	Yes	
PID recovery	Yes	
DC switch	Yes	
Arc-fault circuit-interrupter	Yes	
Surge protection	DC II/AC II	
Insulation monitoring	Yes	
Over-voltage protection	AC III/DC II	

IEC 62109-1/2, IEC61000-6, IEC62116, IEC61683, IEC61727, IEC60068, IEC61000-3, EN50549-1, VDE4105, C10/11, VDE0126/VFR2019, CEI-0-16/21, BIS/CEA, KSC8565, RD1699/UNE217001/UNE206007/NTS Type A, TOR Type A&B, PTPIREE: 2021, MEA/PEA, NRS097-2, ORDINANCE No.140, DEWA