

SP-350K-H1

SP Series String Inverter



More power generation

- Max. efficiency 99%, Euro efficiency 98.8%
- 12MPPTs for tracking maximum PV power
- Supports bifacial PV modules with max. PV current 22.5A



Low system cost

- Up to 24(28/32 optional) PV strings
- Support aluminum cable access, saving cable costs
- Support PLC communication, save communication cable



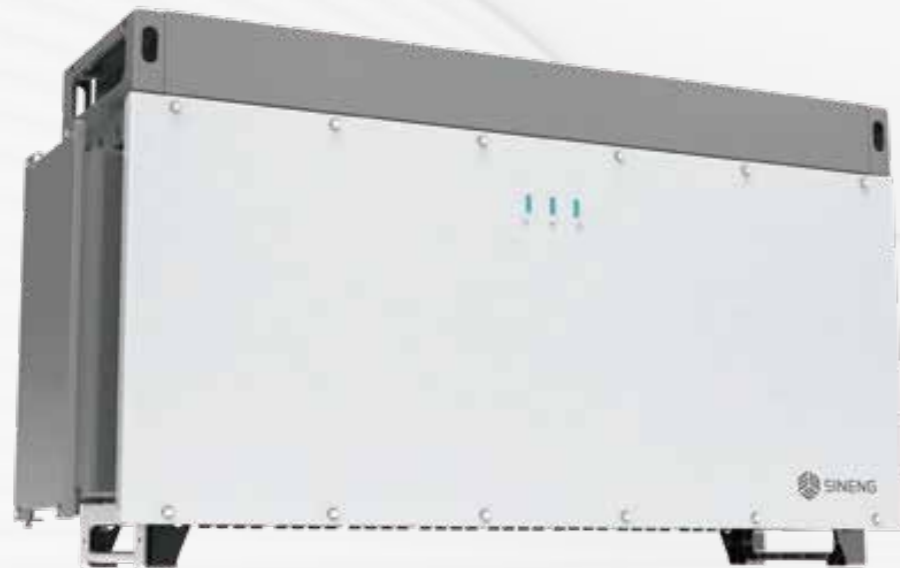
High reliability

- Cooling fan with IP68 protection level
- Integrated string monitoring function
- Standard connection terminal for quick installation

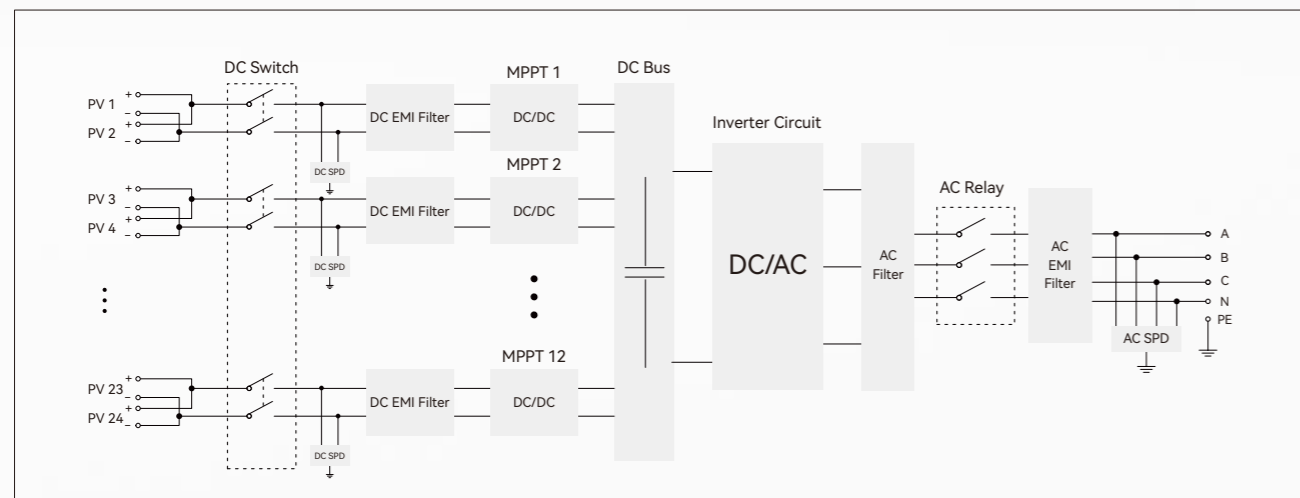


Grid friendly

- LVRT and HVRT function
- Active & Reactive power control



Circuit Diagram



Model		SP-350K-H1
Input (DC)		
Max. PV input voltage		1500V
MPPT Max. input current		45A*12
Rated input voltage		1080V
MPP voltage range		500~1500V
MPP voltage range for nominal power		880~1300V
Number of MPPT trackers		12
Max. number of PV strings		24(Optional:28/32)
Output (AC)		
AC output power		352kW@30°C/320kW@40°C/295kW@50°C
Max. output power		352kW
Rated grid voltage		800V
Grid voltage range		640~920V
Max. output current		254A
Rated grid frequency/range		50Hz/45~55Hz, 60Hz/55~65Hz
Output current harmonic (at nominal power)		<3%
Power factor at nominal power/range		>0.99/0.8leading to 0.8lagging
Protection		
DC reverse connection protection		Yes
Over voltage protection		DC Type II/AC Type II
Leakage current protection		Yes
Grid monitoring		Yes
Insulation monitoring		Yes
Anti-island protection		Yes
Efficiency		
Max. efficiency		99.0%
EU efficiency		98.8%
General Data		
Isolation method		Transformerless
Self-consuming in night		<3.5W
Protection level		IP66
Temperature		-30°C ~ +60°C
Allowed humidity (non condensing)		0~100%
Cooling mode		Temperature controlled forced air cooling
Max.operating altitude		4000m
Communication port		Standard: PLC, Optional: RS485
Certificates and approvals (more available on request)		CE,IEC 62109, IEC 61727, IEC 61683, IEC 62116, IEC 60068,IEC61000,IEC60529 EN50530,EN62920,EN50549
Dimensions (W×H×D)		1350×735×350mm
Weight		140kg