

EH Series

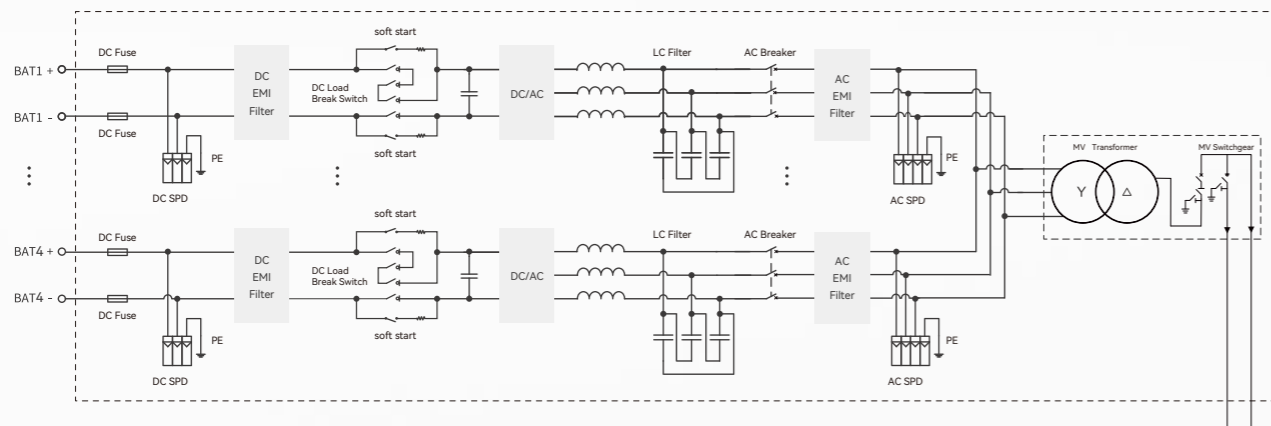
Turnkey Station With MV Transformer Integrated (Central PCS, 1500V)

Features

- PCS Max. efficiency up to 99%
- Full reactive power four-quadrant capability
- Support VSG function
- Millisecond-level power response to EMS/SCADA
- IP65 protection for PCS, IP54 for MV station
- Black start ability
- Two DC branch inputs
- Designed for desert scenario with 50°C option



Circuit Diagram



Model		EH-5000-HB-UD-35
DC Parameters		
Max. DC voltage	1500V	
Max. DC current	5612A	
Battery voltage range	1000 ~ 1500V	
Number of DC inputs	4	
AC parameters (On-Grid)		
AC Output power	5500kVA@30°C, 5000kVA@45°C	
PCS Nominal AC Voltage	690V, 3W+PE	
PCS AC voltage range	607~759V (Adjustable)	
PCS Max. AC current	4604A@30°C, 4184A@45°C	
Nominal grid frequency	50/60Hz	
Harmonic (THDi)	<1.5% (100% load)	
Power Factor	-1 ~ +1	
AC parameters (Off-Grid)		
PCS Nominal AC voltage	690V,3W+PE	
PCS AC voltage range	607~759V(Adjustable)	
AC voltage distortion	<1.5% (100% linear load)	
DC voltage component	<0.5% Un (Linear balance load)	
Unbalanced load capacity	100%	
Nominal grid frequency	50/60Hz	
Transformer		
Isolation mode	Oil-Immersed Transformer	
Transformer rated power	5500kVA@30°C,5000kVA@45°C	
LV/MV voltage	0.69kV/35kV (10kV~35kV Optional)	
Transformer vector	Dy11	
Transformer cooling type	ONAN (Optional: KNAN)	
Oil type	Mineral oil (PCB free) or degradable oil on request	
General Data		
PCS Max. efficiency	99%	
PCS European efficiency	98.5%	
Ingress protection rating	IP65	
Operating temperature range	-40~+60°C(>45°C derating)	
Relative humidity	0~100% (no condensing)	
Max. altitude	1000m(2000m Optional)	
Cooling method	Forced air cooling	
Communication port	RS485/CAN/Ethernet/Bluetooth	
Dimensions (W*D*H)	6058×2438×2896mm	
Weight	20t	