

# EH Series

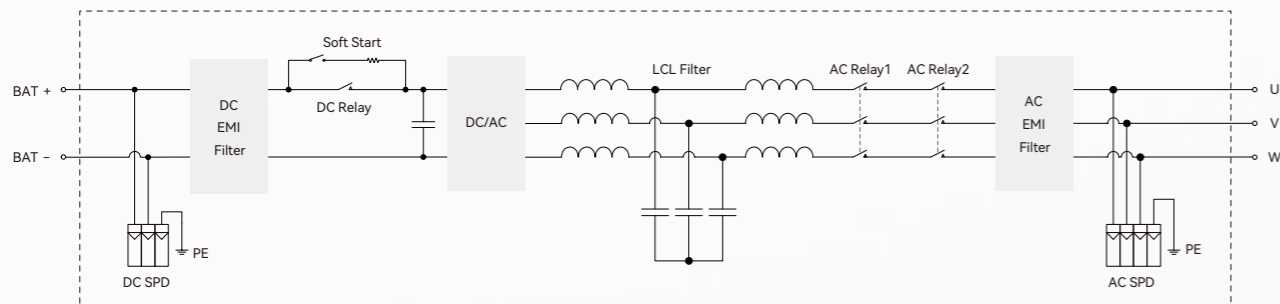
## Power Conversion System (String PCS, 1500V)

### Features

- Charge/discharge each cluster independently
- Fast plug and play, easy expansion
- C5M anti-corrosion grade
- Parallel in AC side (Max. 40 set)
- Grid-forming/black start capability
- Safe and reliable IP66 protection
- Modular design Philosophy
- No need advanced technical service personnel
- Horizontal and vertical mounting thermal design
- Higher battery capacity utilization



### Circuit Diagram



Model	EH-0200-HA-M	EH-0215-HA-M
<b>DC Parameters</b>		
Max. DC voltage	1500V	
Max. DC current	224.5A	241.3A
Battery voltage range	1000 ~ 1500V	
Number of DC input	1	
<b>AC parameters (On-Grid)</b>		
AC output power	220kVA@35°C, 200kVA@45°C	236.5kVA@35°C, 215kVA@45°C
Nominal AC voltage	690V,3W+PE	
AC voltage range	607~759V (Adjustable)	
Max. AC output current	184.1A@35°C, 167.4A@45°C	197.9A@35°C, 179.9A@45°C
Nominal grid frequency	50/60Hz	
Harmonic (THDi)	<1.5% (100% load)	
Power Factor	-1 ~ +1	
<b>AC parameters (Off-Grid)</b>		
Nominal AC voltage	690V,3W+PE	
AC voltage range	607~759V(Adjustable)	
AC voltage distortion	<1.5% (100% linear load)	
DC voltage component	<0.5% Un (Linear balance load)	
Unbalanced load capacity	100%	
Nominal grid frequency	50/60Hz	
<b>General Data</b>		
Isolation mode	Transformerless	
Max. efficiency	99%	
European efficiency	98.5%	
Ingress protection rating	IP66	
Operating temperature range	-40~+60°C(>45°C derating)	
Relative humidity	0~100% (no condensing)	
Max. altitude	4000m (>3000m derating)	
Cooling method	Forced air cooling	
Communication port	RS485/CAN/Ethernet	
Dimensions (W*D*H)	810×275×845mm	
Weight	98kg	