

EP-4400-HA-UD

EP Series 1500V Outdoor Central Inverter

More power generation

- Max. efficiency 99%, Euro efficiency 98.7%
- Advanced three-level technology
- Max.DC/AC ratio up to 1.8

Low system cost

- DC 1500V system, low system cost
- IP65 design
- Night SVG function optional

High reliability

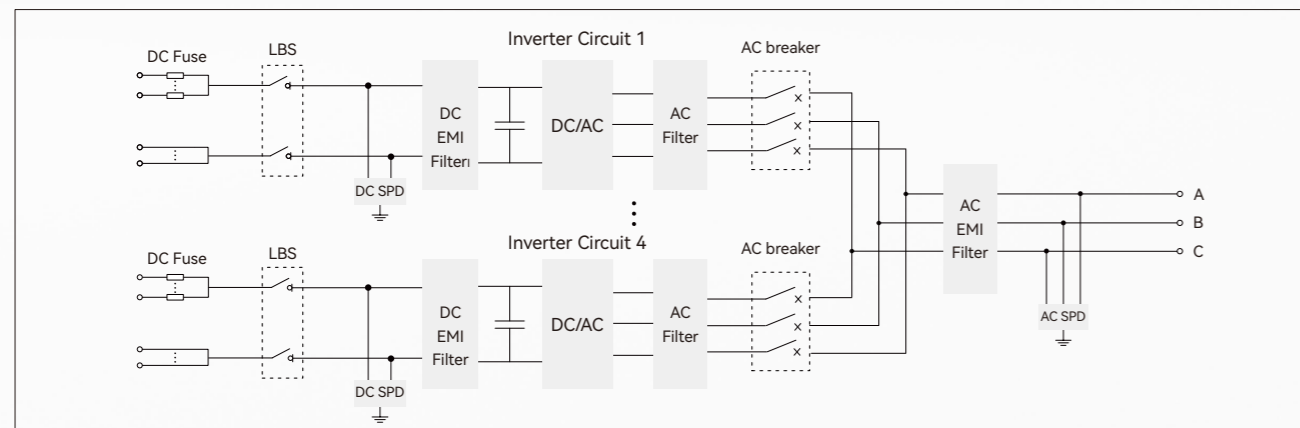
- Key components at front side, easy for maintenance
- Current sensor for each DC input, more reliable for monitoring and control

Grid friendly

- LVRT and HVRT function
- Active & reactive power dispatch



Circuit Diagram



Model		EP-4400-HA-UD
Input (DC)		
Max. PV input voltage		1500V
Max. input current		5736A
MPP voltage range for nominal power		900~1300V
Number of MPPT trackers		4
Number of DC inputs		20(Maximum: 32 inputs)
Output (AC)		
AC output power		4400kW@45°C/5060kW@25°C
Rated grid voltage		630V
Grid voltage range		536~693 V
Max. output current		4640A
Rated grid frequency/range		50Hz±5Hz, 60Hz±5Hz
Output current harmonic (at nominal power)		<3%
DC current injection		< 0.5%In
Power factor at nominal power/range		>0.99/0.8 lagging to 0.8 leading
Protection		
DC input protection		Load break switch+fuse
AC output protection		Circuit breaker
Over voltage protection		DC Type II/AC Type II
Leakage current monitoring		Yes
Ground fault monitoring		Yes
Grid monitoring		Yes
Insulation monitoring		Yes
Overheat protection		Yes
Night SVG function		Optional
Anti-PID function		Optional
Efficiency		
Max. efficiency		99%
EU efficiency		98.7%
General Data		
Self-consuming at runtime		< 5500W
Self-consuming in standby		< 300W
Protection level		IP65
Temperature		-30°C~+60°C
Cooling method		Temperature controlled forced air cooling
Max. operating altitude		5000m
Display		Standard: LED indicator, Bluetooth+APP; Optional: Touch screen
Communication port		RS485/Ethernet
Certificates and approvals (more available on request)		CE,IEC 62109, IEC 61727, IEC 61683, IEC 62116, IEC 60068, IEC61000
Dimensions (W×H×D)		2210×2250×1850mm
Weight		3300kg