

# EP-1250-HA

EP Series 1500V Central Inverter



## More power generation

Max. efficiency 99%, Euro efficiency 98.7%  
1.1 Pn overload capacity at 45 °C  
Full power operation without derating at 50 °C



## Low system cost

Integrated DC power distribution function  
Integrated reactive power compensation  
High DC/AC ratio up to 1.8



## High reliability

Key components on line monitoring  
Redundancy design for cooling fans and power supply  
Industry oriented design for harsh environment

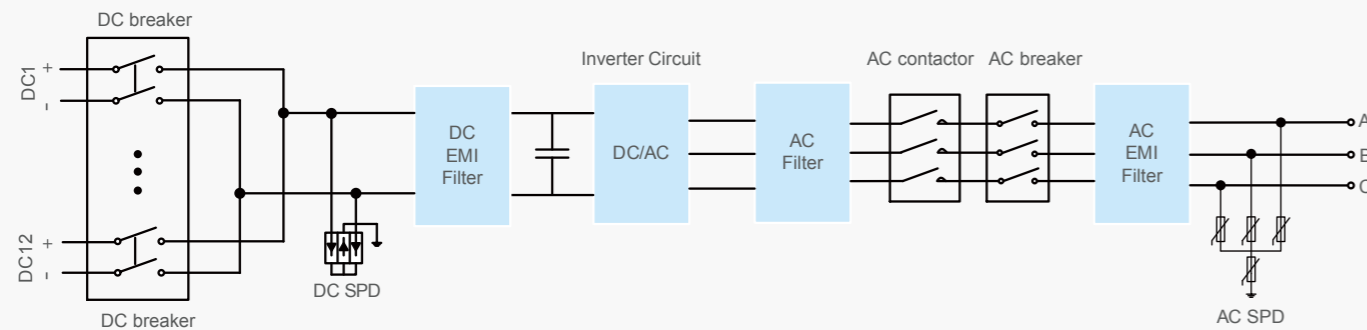


## Grid friendly

LVRT and HVRT function  
Low harmonics and fast response for grid regulation



## Circuit



## Input (DC)

Max. PV input voltage	1500V
Max. input current	1754A
MPP voltage range for nominal power	800V~1300V
Number of MPPT trackers	1
Number of DC inputs	8~12

## Output (AC)

Rated output power	1250kW@50 °C
Max. output power	1375kW@45 °C
Rated grid voltage	550V
Grid voltage range	468V~605V
Max. output current	1443A
Rated grid frequency / range	50 Hz/45~55Hz, 60Hz/55~65Hz
Output current harmonic(at nominal power)	< 3%
Power factor at nominal power / range	>0.99/0.8 lagging to 0.8 leading

## Protection

DC input protection	Circuit breaker (Load break switch+fuse optional)
AC output protection	Circuit breaker
Overvoltage protection	DC Type II/AC Type II
Leakage current monitoring	Yes
Ground fault monitoring	Yes
Insulation monitoring	Yes
Overheat protection	Yes
Reactive power compensation	Optional
Anti-PID function	Optional

## Efficiency

Max. efficiency	99.00%
EU efficiency	98.70%

## General data

Self-consuming at runtime	<1220W
Self-consuming in standby	<40W
Protection level	IP20
Temperature	- 30 °C~+60 °C (>50 °C derating)
Allowed humidity(non condensing)	0~95%
Cooling mode	Temperature controlled forced air cooling
Altitude at full load	4000m(>3000m derating)
Display	Touch screen
Communication port	RS485/Ethernet
Certificates and approvals (more available on request)	IEC 62109, IEC 61727, IEC 61683, IEC 62116, IEC 60068, IEC61000
Dimensions (W×H×D)	2226×2050×725mm
Weight	1250kg