

SN25(X)/30/33/36/40PT

Three Phase Inverters/ 3 MPPTS



Safe & Reliable

IP66 protection & C5 anti-corrosion rating
Type II SPD, both DC & AC parts
Built-in arc-fault circuit-interrupter

High Rewards

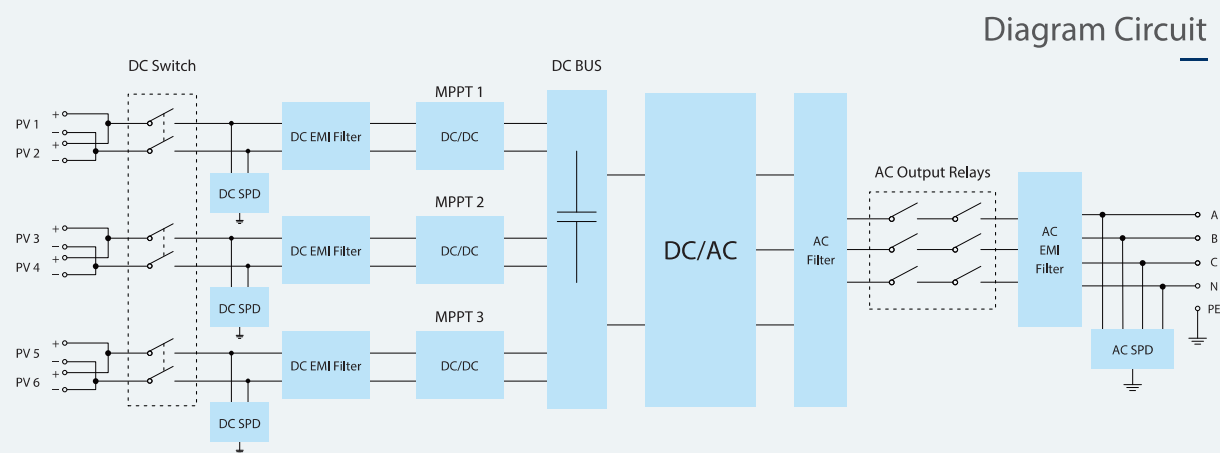
Built-in PID recovery function
Compatible with bifacial modules
1.1 times continuous output overload

High-Performance Management

High Quality OLED Screen(optional)
Smart I/V Curve Scan
Local & Remote Maintenance

User-Friendly Design

Convenience handle design
1100V voltage level design
Plant monitoring quickly Create via APP



Model	SN25PT-X	SN30PT	SN33PT	SN36PT	SN40PT
Input (PV)					
Max. PV input voltage/V				1100	
Recommended max. PV power(STC)/Wp	37500	45000	49500	54000	60000
Nominal PV input voltage/V				620	
MPPT operating voltage range/V				160-1000	
Full power MPPT voltage range/V				520-850	
Start up PV voltage/V				180	
Number of PV input				3*2	
Max. current per MPPT/A	32/32/32	32/32/32	32/32/32	40/32/32	40/32/32
Max. short circuit current per MPPT/A				50	
DC terminal	Amphenol/MC4				
Output (grid)					
Nominal output power/W	25000	30000	33000	36000	40000
Max. output apparent power/VA	27500	33000	36300	39600	44000
Max. output current/A	39.9	47.8	52.6	57.4	63.8
Nominal grid voltage/V	3L/N/PE 230/400				
Grid voltage range/V	320-480 (According to the local standards)				
Nominal grid frequency/Hz	50/60				
Power factor	0.8leading-0.8lagging				
Harmonic (THD)	< 3%				
AC terminal	Terminal Block				
Efficiency					
Max. efficiency	98.60%				
EU efficiency	98.30%				
General data					
Display mode	LED, OLED(Optional)				
Communication port	RS485, WIFI/GPRS/Ethernet				
Weight/Kg	32				
Dimensions (W*H*D)/mm	585*490*260				
Max. operating altitude/m	4000m(>3000m derating)				
Cooling method	Smart fan cooling				
Humidity	0-100%				
Operating temperature/°C	-25-60°C				
Protection level	IP66				
Topology	Transformerless				
Self-consuming at night	< 1W				
Protection					
Leakage current protection	Yes				
Anti-island protection	Yes				
DC reverse protection	Yes				
AC short circuit protection	Yes				
PV string current detection	Yes				
PID recovery	Optional				
DC switch	Yes				
Arc-fault circuit-interrupter	Yes				
Surge protection	DC II/AC II				
Insulation monitoring	Yes				
Over-voltage protection	AC III; DC II				

*Please visit Sineng website for latest certificates.