

SN3.0/4.0/5.0/6.0/8.0/10/12PT

Three Phase Inverters/ 2 MPPTS



Safe & Reliable

IP66 protection & C5 anti-corrosion rating
Type II SPD, both DC & AC parts
Built-in arc-fault circuit-interrupter

High Rewards

Max. efficiency up to 98.5%
Up to 16A, max MPPT input current
1.1 times continuous output overload

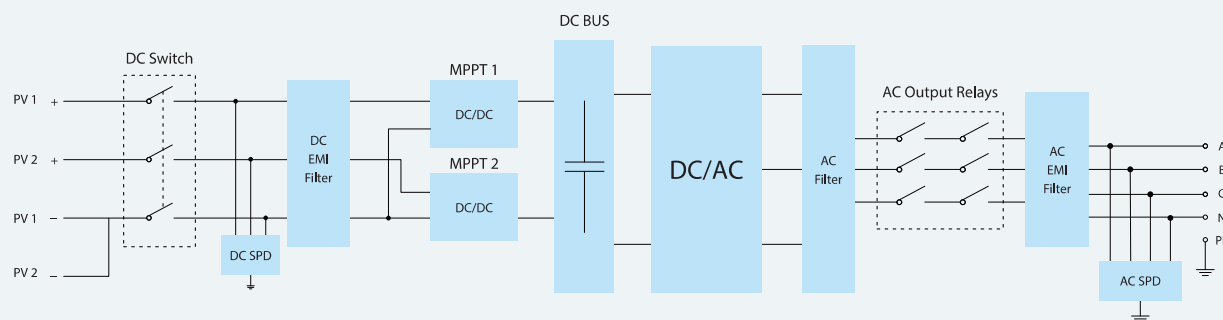
High-Performance Management

High quality OLED screen(optional)
Smart I/V curve scan
Local & remote maintenance

User-Friendly Design

Fanless & silent design
Quick plugable connector
Plant monitoring quickly create via APP

Diagram Circuit



Model	SN3.0PT	SN4.0PT	SN5.0PT	SN6.0PT	SN8.0PT	SN10PT	SN12PT
Input (PV)							
Max. PV input voltage/V	1100						
Recommended max. PV power(STC)/Wp	4500	6000	7500	9000	12000	15000	18000
Nominal PV input voltage/V	620						
MPPT operating voltage range/V	140~1000						
Full power MPPT voltage range/V	190-850	190-850	190-850	225-850	310-850	375-850	450-850
Start up PV voltage/V	180						
Number of PV input	1/1						
Max. current per MPPT/A	16						
Max. short circuit current per MPPT/A	25						
DC terminal	Amphenol/MC4						
Output (grid)							
Nominal output power/W	3000	4000	5000	6000	8000	10000	12000
Max. output apparent power/VA	3300	4400	5500	6600	8800	11000	13200
Max. output current/A	4.8	6.4	8	9.6	12.8	15.9	19.1
Nominal grid voltage/V	3L/N/PE 230/400						
Grid voltage range/V	320-480 (According to local standards)						
Nominal grid frequency/Hz	50/60						
Power factor	0.8leading-0.8lagging						
Harmonic (THD)	< 3%						
AC terminal	Quick plug connector						
Efficiency							
Max. efficiency	98.00%	98.00%	98.10%	98.20%	98.30%	98.40%	98.50%
EU efficiency	97.60%	97.70%	97.70%	97.80%	98.00%	98.10%	98.20%
General data							
Display mode	LED, OLED(Optional)						
Communication port	RS485, WIFI/GPRS/Ethernet						
Weight/Kg	14.5	14.5	14.5	14.5	14.5	15	15
Dimensions (W*H*D)/mm	530*465*165						
Max. operating altitude/m	4000m(>3000m derating)						
Cooling method	Natural						
Humidity	0~100%						
Operating temperature/ C	-25~60 C						
Protection level	IP66						
Topology	Transformerless						
Self-consuming at night	< 1W						
Protection							
Leakage current protection	Yes						
Anti-island protection	Yes						
DC reverse protection	Yes						
AC short circuit protection	Yes						
PV string current detection	Yes						
PID recovery	Optional						
DC switch	Yes						
Arc-fault circuit-interrupter	Yes						
Surge protection	DC II/AC II						
Insulation monitoring	Yes						
Over-voltage protection	AC: III; DC: II						

*Please visit Sineng website for latest certificates.