

SN50/60PT

Three Phase Inverters/ 5 MPPTS



Safe & Reliable

IP66 protection & C5 anti-corrosion rating
Type II SPD, both DC & AC parts
Built-in arc-fault circuit-interrupter

High Rewards

Built-in PID recovery function
Compatible with bifacial modules
1.1 times continuous output overload

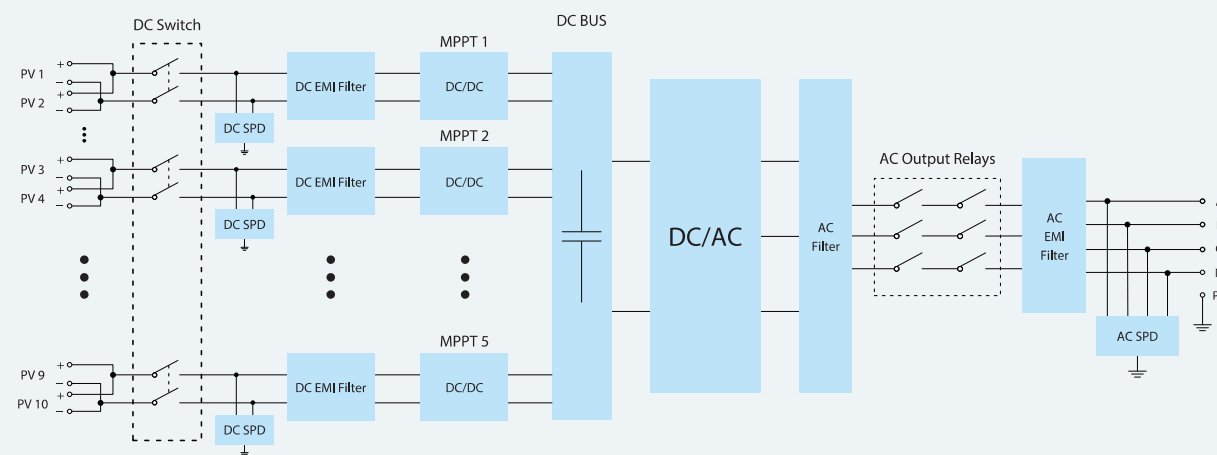
High-Performance Management

High quality OLED screen(optional)
Smart I/V curve scan
Local & remote maintenance

User-Friendly Design

Convenience handle design
1100V voltage level design
Plant monitoring quickly create via APP

Diagram Circuit



Model	SN50PT	SN60PT
Input (PV)		
Max. PV input voltage/V	1100	
Recommended max. PV power(STC)/Wp	75000	90000
Nominal PV input voltage/V	620	
MPPT operating voltage range/V	200-1000	
Full power MPPT voltage range/V	520-850	
Start up PV voltage/V	250	
Number of PV input	5*2	
Max. current per MPPT/A	32/32/32/32/32	40/32/32/32/32
Max. short circuit current per MPPT/A	50	
DC terminal	Amphenol/MC4	
Output (grid)		
Nominal output power/W	50000	60000
Max. output apparent power/VA	55000	66000
Max. output current/A	79.4	95.7
Nominal grid voltage/V	3/N/PE 230/400	
Grid voltage range/V	320-480 (According to the local standards)	
Nominal grid frequency/Hz	50/60	
Power factor	0.8leading-0.8lagging	
Harmonic (THD)	< 3%	
AC terminal	Terminal Block	
Efficiency		
Max. efficiency	98.60%	
EU efficiency	98.30%	
General Data		
Display mode	LED, OLED(Optional)	
Communication port	RS485, WIFI/GPRS/Ethernet	
Weight/Kg	50	
Dimensions (W*H*D)/mm	675*590*275	
Max. operating altitude/m	4000m(>3000m derating)	
Cooling method	Smart fan cooling	
Humidity	0-100%	
Operating temperature/ C	-25-60 C	
Protection level	IP66	
Topology	Transformerless	
Self-consuming at night	< 1W	
Protection		
Leakage current protection	Yes	
Anti-island protection	Yes	
DC reverse protection	Yes	
AC short circuit protection	Yes	
PV string current detection	Yes	
PID recovery	Optional	
DC switch	Yes	
Arc-fault circuit-interrupter	Yes	
Surge protection	DC II/AC II	
Insulation monitoring	Yes	
Over-voltage protection	AC: III; DC: II	

*Please visit Sineng website for latest certificates.