

# EP-3750-HAN-UD

EP Series 1500V Outdoor Central Inverter



## More power generation

- Max. efficiency 98.9%, CEC efficiency 98.5%
- Advanced three-level technology
- Max.DC/AC ratio up to 1.8

## Low system cost

- DC 1500V system, low system cost
- IP65 design
- Night SVG function

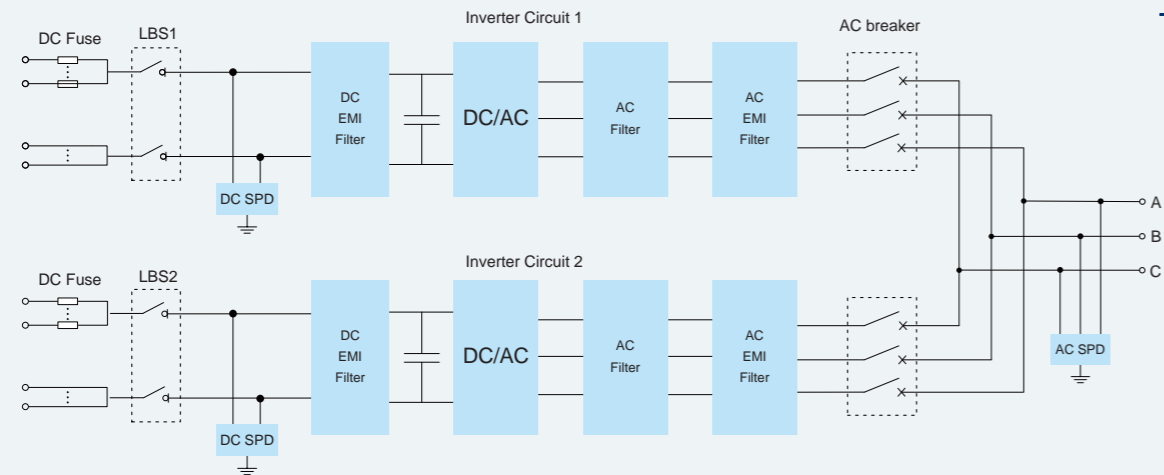
## High reliability

- Capacitor life prediction technology
- Key components at front side, easy for maintenance
- Current sensor for each DC input, more reliable for monitoring and control

## Grid friendly

- LVRT and HVRT function
- Active & reactive power dispatch

## Circuit



| Input (DC)   |  | EP-3750-HAN-UD   |
|--|--|--|
| Max.PV input voltage                                   |  | 1500V  |
| Max. input current                                     |  | 4049A  |
| MPP voltage range for nominal power                    |  | 958~1300V  |
| Number of MPPT trackers                                |  | 2  |
| Max. Number of DC inputs                               |  | 22 (400A&315A) /18 (500A&550A&630A)                                    |
| Output (AC)  |  |  |
| AC output power  |  | 3750kVA@40 C , 3375kVA@50 C  |
| Rated grid voltage                                     |  | 660V   |
| Grid voltage range                                     |  | 561~726 V  |
| Output current   |  | 3280A@40 C , 2952A@50 C  |
| Rated grid frequency/range                             |  | 60Hz/55~65Hz   |
| Output current harmonic (at nominal power)             |  | <3%  |
| DC current injection                                   |  | <0.5%In  |
| Power factor at nominal power/range                    |  | >0.99/0.8 lagging to 0.8 leading                                       |
| Protection   |  |  |
| DC input protection                                    |  | Load break switch+fuse   |
| AC output protection                                   |  | Circuit breaker  |
| Overtoltage protection                                 |  | DC Type II/AC Type II  |
| Leakage current monitoring                             |  | Yes  |
| Ground fault monitoring                                |  | Yes  |
| Grid monitoring  |  | Yes  |
| Insulation monitoring                                  |  | Yes  |
| Overheat protection                                    |  | Yes  |
| Night SVG function                                     |  | Yes  |
| Anti-PID function                                      |  | Yes  |
| Efficiency   |  |  |
| Max. efficiency  |  | 98.9%  |
| CEC efficiency   |  | 98.5%  |
| General Data   |  |  |
| Self-consuming at runtime                              |  | <7500W   |
| Self-consuming in standby/night                        |  | <300W/<200W  |
| Protection level                                       |  | NEMA 4X(Electronic)/ NEMA 3R(Others)                                   |
| Temperature  |  | -30 C~ +60 C ( >40 C derating)   |
| Cooling method   |  | Temperature controlled forced air cooling                              |
| Max.operating altitude                                 |  | 3000m  |
| Display  |  | LCD  |
| Communication port                                     |  | RS485  |
| Certificates and approvals (more available on request) |  | CSA C22.2 No.107.1-16, UL1741,IEEE1547.1, IEEE1547, UL1741SB, SRD-V2.0 |
| Dimensions (WxHxD)                                     |  | 2335x2300x1865mm   |
| Weight   |  | 2600kg   |