

EH Series

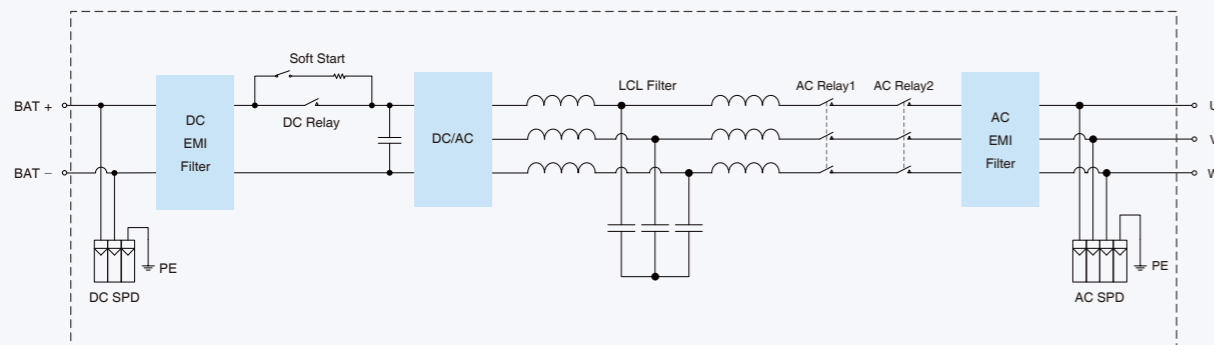
Power Conversion System (String PCS, 1500V)



Features

- Charge/discharge each cluster independently
- Fast Plug and play, easy expansion
- C5M anti-corrosion grade
- Parallel in AC side (Max. 40 set)
- Grid-forming/black start capability
- Safe and reliable, NEMA TYPE 4X protection
- Modular Design Philosophy
- No need advanced technical service personnel
- Horizontal and vertical mounting thermal design
- With UL1741 SB certification

Circuit Diagram



Model	EH-0200-HA-M-US
DC Parameters	
Max. DC voltage	1500V
Max. DC current	224.5A
Battery voltage range	1000~1500V
Number of DC input	1
AC parameters (On-Grid)	
AC output power	220kVA@35 C, 200kVA@45 C, 133kVA@50 C
Nominal AC voltage	690V, 3W+PE
AC voltage range	607~759V (Adjustable)
Max. AC output current	184.1A@35 C, 167.4A@45 C, 111.3A@50 C
Nominal grid frequency	60Hz
Harmonic (THDi)	<1.5% (100% load)
Power Factor	-1~+1
AC parameters (Off-Grid)	
Nominal AC voltage	690V, 3W+PE
AC voltage range	607~759V (Adjustable)
AC voltage distortion	<1.5% (100% linear load)
DC voltage component	<0.5% Un (Linear balance load)
Unbalanced load capacity	100%
Nominal grid frequency	60Hz
General Data	
Isolation mode	Transformerless
Max. efficiency	98.80%
CEC efficiency	98.50%
Ingress protection rating	TYPE 4X
Operating temperature range	-40~+60 C (>45 C derating)
Relative humidity	0~100% (no condensing)
Max. altitude	4000m (>3000m derating)
Cooling method	Forced air cooling
Communication port	RS485/CAN/Ethernet
Dimensions (W*D*H)	810×275×845mm
Weight	98kg