

EH Series

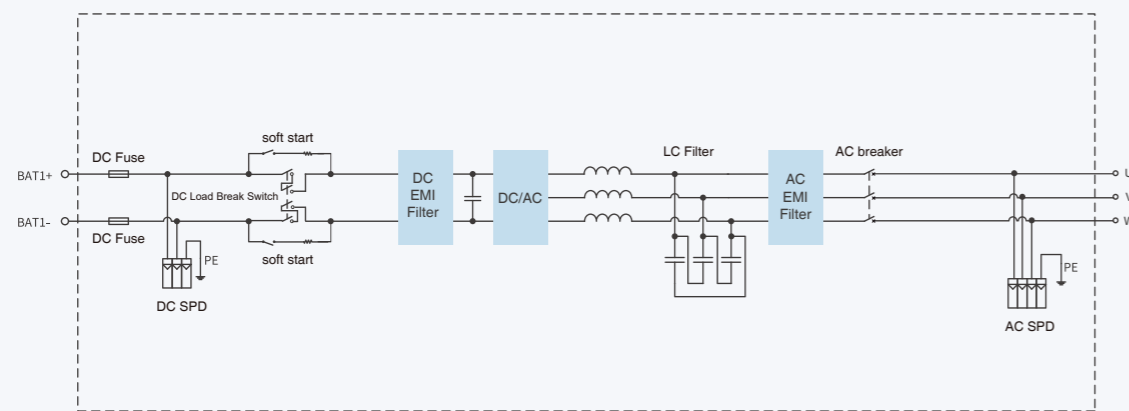
Power Conversion System (Central PCS, 1500V)



Features

- Max. efficiency up to 98.9%
- Full reactive power four-quadrant capability
- Support VSG function
- Millisecond-level Power response to EMS/SCADA
- NEMA TYPE 3R protection degree
- Black start ability
- Three level topology
- Use alone or in combination with MV station

Circuit Diagram



| Model | EH-1900-HC-UD-US | EH-2000-HC-UD-US |
|---------------------------------|--|--|
| DC Parameters | | |
| Max. DC voltage | 1500V | 1500V |
| Max. DC current | 1936A | 2245A |
| Battery voltage range | 1000 ~ 1500V | 1000 ~ 1500V |
| Number of DC input | 1 | 1 |
| AC parameters (On-Grid) | | |
| AC output power | 1900kVA@40 C, 1900kVA@45 C, 1725kVA@50 C | 2100kVA@40 C, 2000kVA@45 C, 1900kVA@50 C |
| Nominal AC voltage | 690V, 3W+PE | |
| AC voltage range | 607~759V (Adjustable) | |
| Max. AC output current | 1590A@40 C, 1590A@45 C, 1443A@50 C | 1757A@40 C, 1673A@45 C, 1590A@50 C |
| Nominal grid frequency | 60Hz | |
| Harmonic (THDi) | <1.5% (100% load) | |
| Power factor range | -1 ~ +1 | |
| AC parameters (Off-Grid) | | |
| Nominal AC voltage | 690V, 3W+PE | |
| AC voltage range | 607-759V(Adjustable) | |
| AC voltage distortion | <1.5% (100% linear balance load) | |
| DC voltage component | <0.5% Un (Linear balance load) | |
| Unbalanced load capacity | 100% | |
| Nominal grid frequency | 60Hz | |
| General Data | | |
| Isolation mode | Transformerless | |
| Max. efficiency | 98.90% | |
| CEC efficiency | 98.50% | |
| Ingress protection rating | TYPE 3R | |
| Operating temperature range | -40~+60 C (>50 C derating) | -40~+60 C (>45 C derating) |
| Relative humidity | 0~100% (no condensing) | |
| Max. altitude | 5000m (>3000m derating) | |
| Cooling method | Forced air cooling | |
| Communication port | RS485/CAN/Ethernet | |
| Dimensions (W*D*H) | 1150x1435x2350mm | |
| Weight | 1400kg | 1500kg |

Copyright 2023 SINENG. All rights reserved. Specifications subject to change without notice.