

EH Series

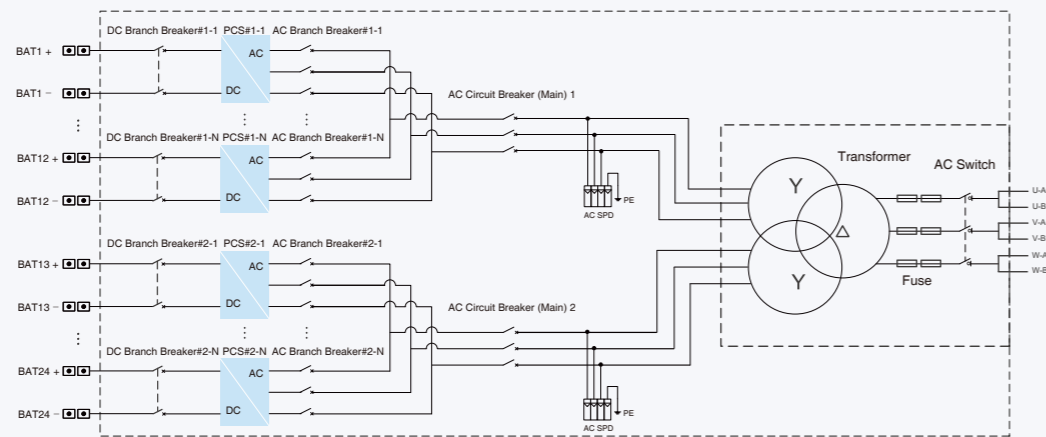
Turnkey Station With MV Transformer Integrated (String PCS, 1500V)



Features

- 200 kW fold expansion up to 4.8MW inside 30 ft structure
- Power Module easily replacement reduce repair time
- Only need to power off each single failed battery cluster
- Allow expand new battery cluster to the old system
- Solve SOC imbalance between different battery clusters
- Battery system achieve more deep DOD ability
- Built in Energy Management Unit support IEEE 2030.5
- More easily to perform periodic battery calibration

Circuit Diagram



Model	EH-4000-HA-MR-US-34.5	EH-4400-HA-MR-US-34.5	EH-4800-HA-MR-US-34.5
DC Parameters			
Max. DC Voltage	1500V		
Max. DC Current	224.5A*20	224.5A*22	224.5A*24
Battery voltage range	1000 ~ 1500V		
Number of DC inputs	20	22	24
AC parameters (On-Grid)			
AC output power	200kVA*20@45 C,133kVA*20@50 C	200kVA*22@45 C,133kVA*22@50 C	200kVA*24@45 C,133kVA*24@50 C
PCS AC voltage range	607~759V (Adjustable)		
PCS Max. AC output current	167.4A*20@45 C,111.3A*20@50 C	167.4A*22@45 C,111.3A*22@50 C	167.4A*24@45 C,111.3A*24@50 C
Nominal grid frequency	60Hz		
Harmonic (THDi)	<1.5% (100% load)		
Power Factor	-1 ~ +1		
AC parameters (Off-Grid)			
PCS Nominal AC voltage	690V, 3W+PE		
PCS AC voltage range	607~759V (Adjustable)		
AC voltage distortion	<1.5% (100% linear load)		
DC voltage component	<0.5% Un (Linear balance load)		
Unbalanced load capacity	100%		
Nominal grid frequency	60Hz		
Transformer			
Isolation mode	Oil-Immersed Transformer		
Transformer rated power	4000kVA	4400kVA	4800kVA
Transformer Max. power	4000kVA	4400kVA	4800kVA
LV/MV voltage	0.69kV/34.5kV (13.8kV~34.5kV Optional)		
Transformer vector	Dy1 or Dy11		
Transformer cooling type	ONAN (KNAN Optional)		
Oil type	Mineral oil (PCB free) or degradable oil on request		
General Data			
PCS Max. efficiency	98.80%		
PCS CEC efficiency	98.50%		
Ingress protection rating	TYPE 3R		
Operating temperature range	-40~+60 C (>45 C derating)		
Relative humidity	0~100% (no condensing)		
Max. altitude	2000m		
Cooling method	Forced air cooling		
Communication port	RS485/CAN/Ethernet		
Dimensions (W*D*H)	9125x2438x2896mm		
Weight	22500kg	23000kg	23500kg